

# **PARTS CATALOGUE**

***WaveRunner GP1200R***

**GP1200A-A/AC-A (F0X5/67XE/67X2)**

**GP1200A-A (F0X6/68BC/67X2)**

**MJ-GP1200R'02 (F0X7/67XF/67X2)**

---

GP1200A-A/GP1200AC-A/MJ-GP1200R  
PARTS CATALOGUE

©2001 by Yamaha Motor Co., Ltd.

1st Edition, Nov. 2001

All rights reserved.

Any reprinting or unauthorized use  
without the written permission of  
Yamaha Motor Co., Ltd.  
is expressly prohibited.

**A3**



A4

# FOREWORD

This Parts Catalogue is related to the parts for the model(s) in the below frame. When you are ordering replacement parts, please refer to this Parts Catalogue and quote both part numbers and part names correctly.

GP1200A-A(F0X5/67XE/67X2), GP1200AC-A(F0X5/67XE/67X2),  
GP1200A-A(F0X6/68BC/67X2), MJ-GP1200R'02(F0X7/67XF/67X2)

1. Modifications or additions which have been made after issue of the Parts Catalogue will be announced in the Yamaha Parts News.  
It is advisable that you make necessary corrections to the Parts Catalogue according to the Yamaha Parts News.

## 2. Abbreviations

The following abbreviations are used in this Parts Catalogue.

“UR” Use specified parts number.

“UN” Use as many as needed.

“AP” Alternate Parts

“LM” Local Made (Parts need to be ordered locally)

“F#” Frame No. (Applicable machine No.)

3. Parts, which are to be supplied in an assembly, are listed with a dot(.) in front of the part name as shown below.

The numeral appearing to the right of each component part indicates the quantity of parts for each assembly unit.

### EXAMPLE

PART NO.	DESCRIPTION	Q'TY	REMARKS
EU0-62280-00	DRAIN PLUG ASSY	2	
EU0-62282-00	.PLUG,DRAIN	1	

## 4. Quantity Column Information

NAME for Q'TY COLUMN	COUNTRY (destination)
U49	EXCEPT CALIFORNIA FOR USA
CAL	CALIFORNIA
CAN	CANADA
GENE	EXCEPT USA, CANADA, JAPAN
JPN	JAPAN

5. Note that the illustration for reference in finding parts numbers, not to be used for assembling. When assembling, please use the applicable service manual.

6. A part with “YMUS” in the remarks column can be obtained from YMUS (USA) and not from YAMAHA MOTOR CO.,LTD (JAPAN).

### EXAMPLE

PART NO.	DESCRIPTION	Q'TY	REMARKS
EW2-U5160-00	ENGINE HATCH COMP.	2	.. YMUS
90601-168U7	BAND, HOSE	1	.. YMUS

### ADDRESS:

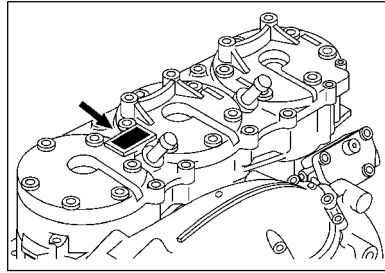
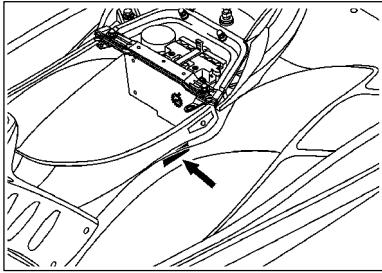
YAMAHA MOTOR CORPORATION U.S.A.  
PARTS & ACCESSORY DIV.  
6555 KATELLA AVENUE  
CYPRESS, CALIFORNIA 90630 U.S.A.

# FOREWORD

## 7. Applicable Starting Serial No. and Color Code

Starting Serial No.

Hull Serial No. ....	F0X-818101
Engine Serial No. ....	67X-016101



Color Code

Parts No./Part Name	Color Code	Color Name	Abbreviation
F0X-U377B-10-P0 COVER,SIDE 1	0770	DARK PURPLISH BLUE METALLIC F	DPBMF
F0X-U377C-10-P0 COVER,SIDE 2	0770	DARK PURPLISH BLUE METALLIC F	DPBMF
F0X-U517H-10-P0 LID HATCH	0770	DARK PURPLISH BLUE METALLIC F	DPBMF
ENGINE	008P	BLACK SOLID 4	SS4

# CONTENTS

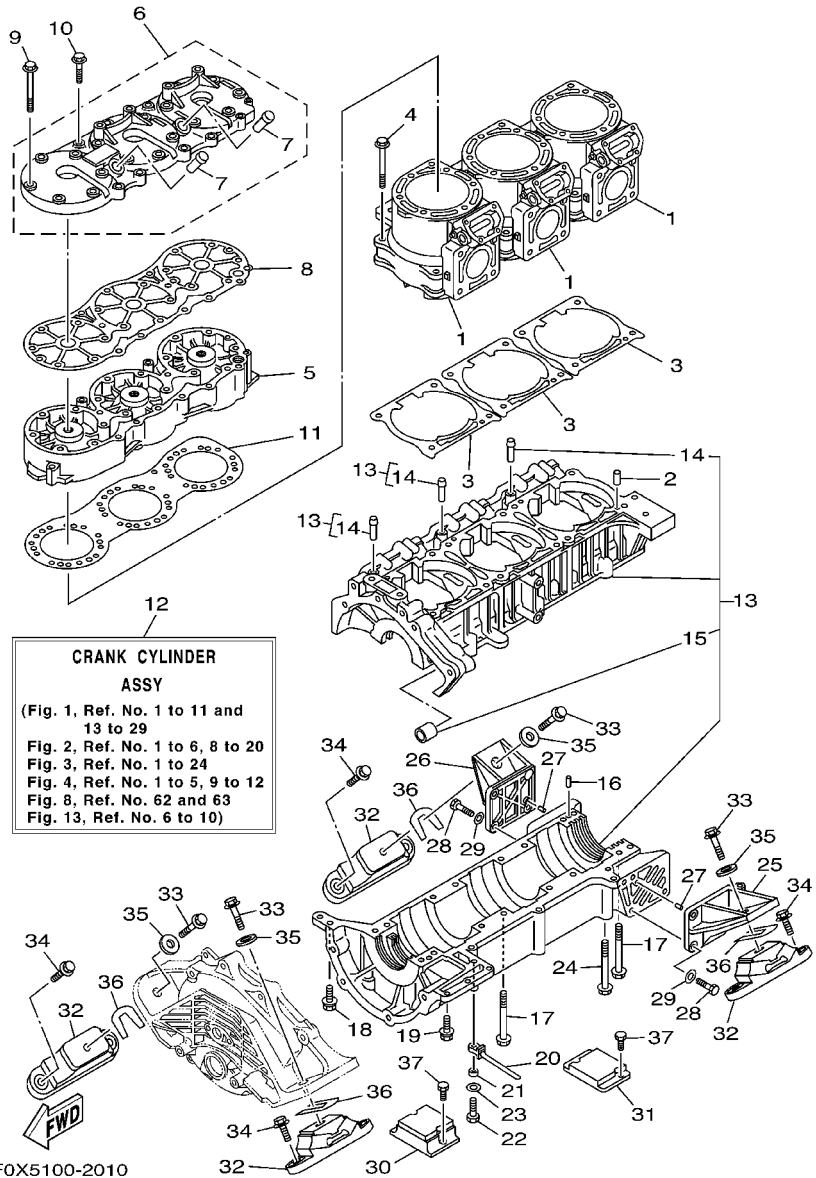
CYLINDER. CRANKCASE 1 .....	B2
CYLINDER. CRANKCASE 2 .....	B4
CRANKSHAFT. PISTON .....	B6
INTAKE .....	B8
CARBURETOR .....	B10
CARBURETOR 2 .....	B13
OIL PUMP .....	C2
EXHAUST 1 .....	C4
EXHAUST 2 .....	C7
FUEL .....	C9
JET UNIT 1 .....	C10
JET UNIT 2 .....	C13
GENERATOR .....	C14
STARTING MOTOR .....	C15
ELECTRICAL 1 .....	D2
ELECTRICAL 2 .....	D5
ENGINE HATCH 1 .....	D7
ENGINE HATCH 2 .....	D8
HULL. DECK .....	D10
GUNWALE. MAT .....	D12

VENTILATION .....	D13
SEAT. UNDER LOCKER .....	D14
OIL TANK .....	D15
FUEL TANK .....	E2
EXHAUST 3 .....	E4
CONTROL CABLE .....	E5
STEERING 1 .....	E7
STEERING 2 .....	E9
GRAPHICS .....	E10
IMPORTANT LABELS .....	E11
IMPORTANT LABELS 2 .....	E12
IMPORTANT LABELS 3 .....	E13
REPAIR KIT 1 .....	E14
REPAIR KIT 2 .....	F2

## INDEX

NUMERICAL INDEX .....	M1
-----------------------	----

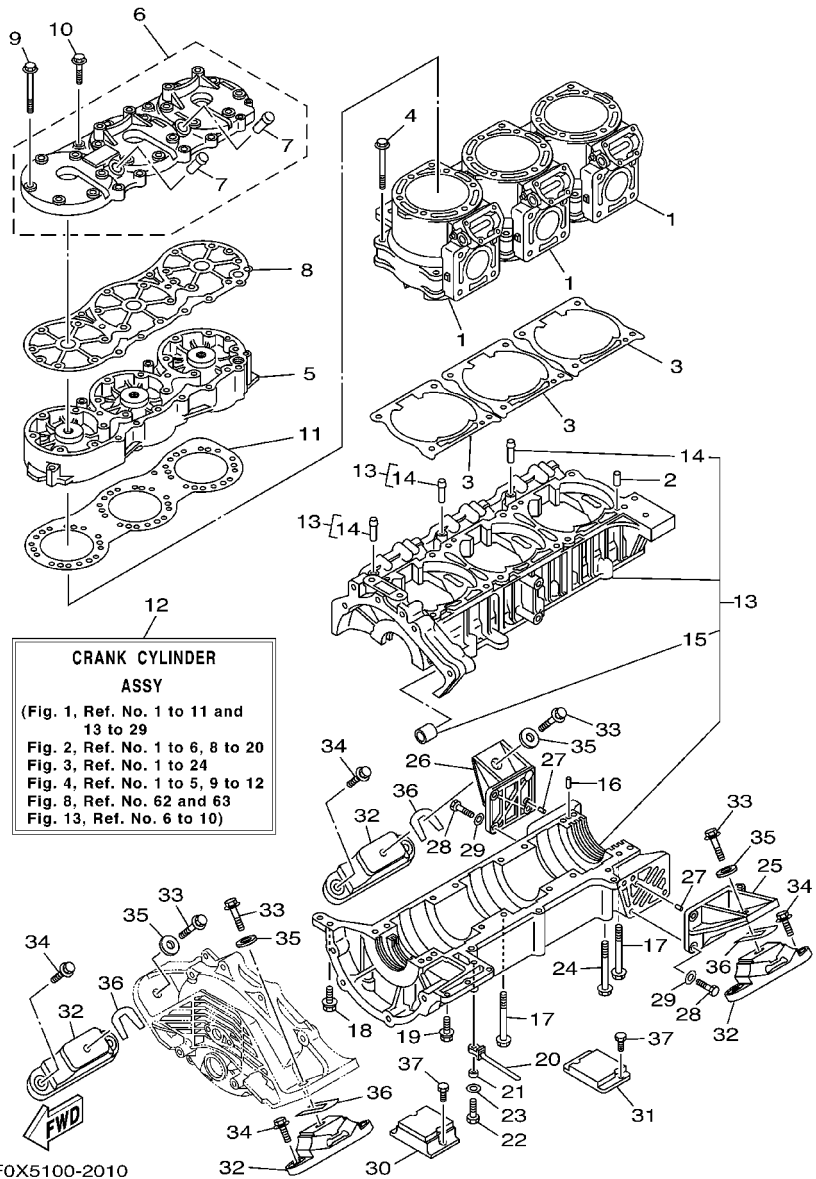
FIG. 1 CYLINDER. CRANKCASE 1



F0X5100-2010

REF. NO.	PART NO.	DESCRIPTION	U49	CAL	CAN	GENE	JPN	REMARKS
1	66V-11311-00-94	CYLINDER 1	3	3	3	3	3	
2	93606-12019	PIN, DOWEL	6	6	6	6	6	
3	66E-11351-01	GASKET, CYLINDER	3	3	3	3	3	
4	90119-10M07	BOLT, WITH WASHER	12	12	12	12	12	
5	67X-11111-00-94	HEAD, CYLINDER 1	1	1	1	1	1	
6	66V-11191-01-8P	COVER, CYLINDER HEAD 1	1	1	1	1	1	
7	66E-51129-00	.NIPPLE	2	2	2	2	2	
8	66V-11193-00	GASKET, HEAD COVER 1	1	1	1	1	1	
9	90119-08M67	BOLT, WITH WASHER	18	18	18	18	18	
10	90119-08MA0	BOLT, WITH WASHER	6	6	6	6	6	
11	66V-11181-00	GASKET, CYLINDER HEAD 1	1	1	1	1	1	
12	68N-W0090-10-8P	CRANK CYLINDER ASSY	1	1	1	1	1	
13	68N-15100-00-8P	CRANKCASE ASSY	1	1	1	1	1	
14	66V-14251-00	.NIPPLE	3	3	3	3	3	
15	90380-12M29	.BUSH, SOLID	1	1	1	1	1	
16	93606-12019	PIN, DOWEL	2	2	2	2	2	
17	90119-08M63	BOLT, WITH WASHER	16	16	16	16	16	
18	90119-08M18	BOLT, WITH WASHER	1	1	1	1	1	
19	90119-06M13	BOLT, WITH WASHER	3	3	3	3	3	
20	90465-12M53	CLAMP	1	1	1	1	1	
21	90387-06M05	COLLAR	1	1	1	1	1	
22	97013-06040	BOLT	1	1	1	1	1	
23	92903-06600	WASHER, PLATE	1	1	1	1	1	
24	90119-06M84	BOLT, WITH WASHER	6	6	6	6	6	
25	68N-21425-00-8P	BRACKET, REAR UPPER 1	1	1	1	1	1	
26	68N-21426-00-8P	BRACKET, REAR UPPER 2	1	1	1	1	1	
27	93606-12019	PIN, DOWEL	4	4	4	4	4	

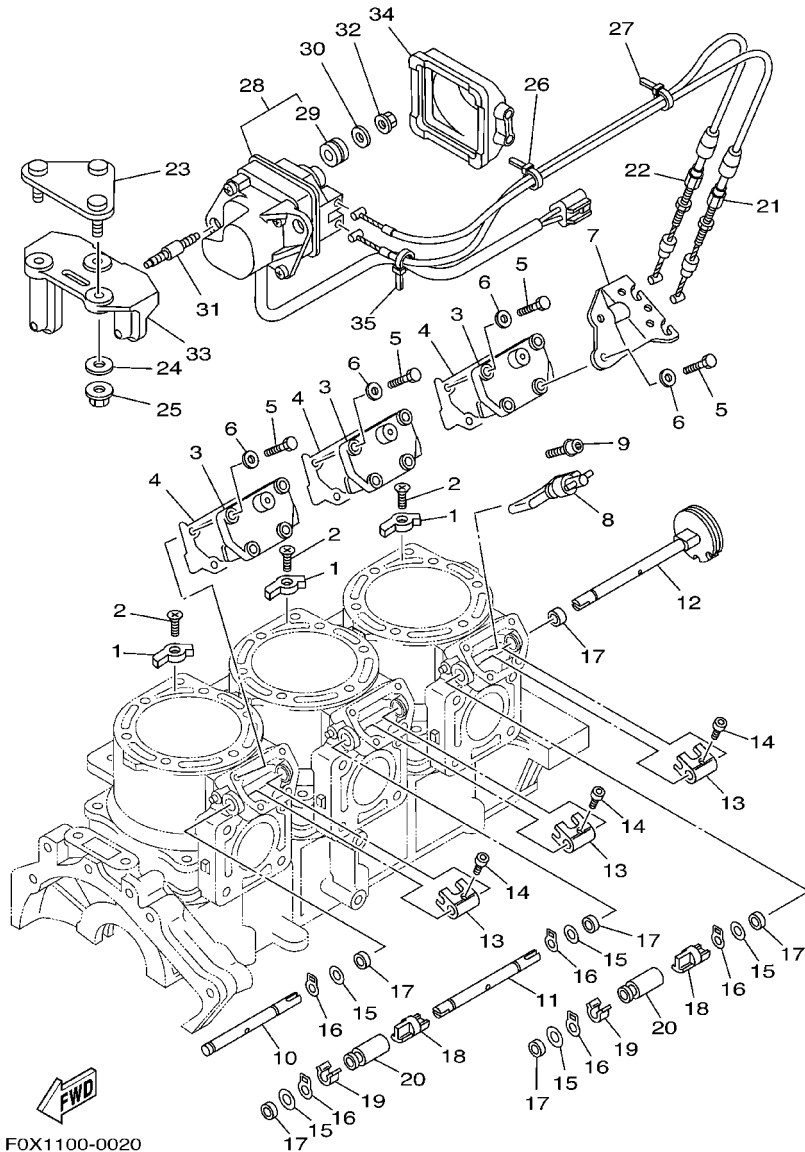
FIG. 1 CYLINDER. CRANKCASE 1



REF. NO.	PART NO.	DESCRIPTION	U49	CAL	CAN	GENE	JPN	REMARKS
28	97013-08025	BOLT	6	6	6	6	6	
29	92903-08600	WASHER, PLATE	6	6	6	6	6	
30	66V-44532-00-94	STOPPER, UPPER MOUNT	1	1	1	1	1	
31	66V-44574-00-94	STOPPER LWR MOUNT RUBBER	1	1	1	1	1	
32	67X-44517-10-5B	MOUNT RUBBER	4	4	4	4	4	
33	90119-089UR	BOLT, WITH WASHER	4	4	4	4	4	YMUS
34	90119-089UN	BOLT, WITH WASHER	8	8	8	8	8	YMUS
35	90201-099U3	WASHER, PLATE	4	4	4	4	4	YMUS
36	EU0-U7354-00-01	SHIM (T=0.1)	10	10	10	10	10	UR, YMUS
	EU0-U7354-00-03	SHIM (T=0.3)	10	10	10	10	10	UR, YMUS
	EU0-U7354-00-05	SHIM (T=0.5)	10	10	10	10	10	UR, YMUS
	EU0-U7354-00-10	SHIM (T=1.0)	10	10	10	10	10	UR, YMUS
	EU0-U7354-00-20	SHIM (T=2.0)	10	10	10	10	10	UR, YMUS
37	90101-06917	BOLT	4	4	4	4	4	



FIG. 2 CYLINDER. CRANKCASE 2

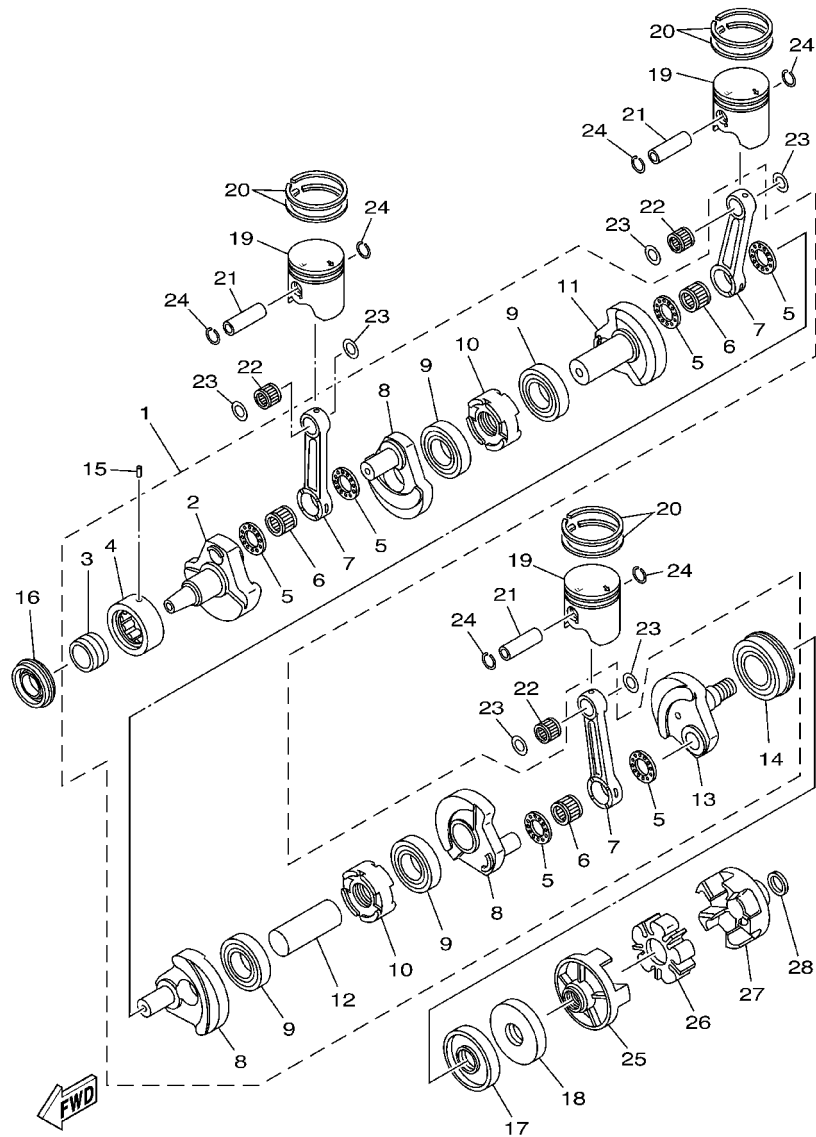


FOX1100-0020

REF. NO.	PART NO.	DESCRIPTION	U49	CAL	CAN	GENE	JPN	REMARKS
1	66E-11325-00	ANODE	3	3	3	3	3	
2	98780-05020	SCREW, FLAT HEAD	3	3	3	3	3	
3	66E-1131M-01-8P	COVER	3	3	3	3	3	
4	66E-1131B-01	GASKET, COVER	3	3	3	3	3	
5	97013-06025	BOLT	12	12	12	12	12	
6	92903-06600	WASHER, PLATE	12	12	12	12	12	
7	66E-11998-10	BRACKET 1	1	1	1	1	1	
8	66E-1131S-10	VALVE ASSY.	2	2	2	2	2	
9	90110-05008	BOLT, HEXAGON SOCKET HEAD	3	3	3	3	3	
10	66E-1131V-00	SHAFT 1	1	1	1	1	1	
11	66V-11333-00	SHAFT 3	1	1	1	1	1	
12	66E-1132C-00	PULLEY, SHAFT	1	1	1	1	1	
13	66E-11832-01	LEVER, LINK	3	3	3	3	3	
14	90110-04M03	BOLT, HEXAGON SOCKET HEAD	3	3	3	3	3	
15	90201-08M09	WASHER, PLATE	5	5	5	5	5	
16	93410-08M12	CIRCLIP	5	5	5	5	5	
17	93109-08M07	OIL SEAL	6	6	6	6	6	
18	66E-1131H-00	JOINT 1	2	2	2	2	2	
19	66E-1131J-10	JOINT 2	2	2	2	2	2	
20	66E-1131C-10	COVER, JOINT	2	2	2	2	2	
21	66E-1133E-10	CABLE, PULLEY 1	1	1	1	1	1	
22	66E-1133F-10	CABLE, PULLEY 2	1	1	1	1	1	
23	GU0-6824E-00	BRACKET, YPVS	1	1	1	1	1	
24	9299R-08200	WASHER	3	3	3	3	3	YMUS
25	9572R-08300	NUT, FLANGE	3	3	3	3	3	YMUS
26	90601-200U2	BAND	1	1	1	1	1	YMUS
27	90601-200U2	BAND	1	1	1	1	1	YMUS



**FIG. 3 CRANKSHAFT. PISTON**

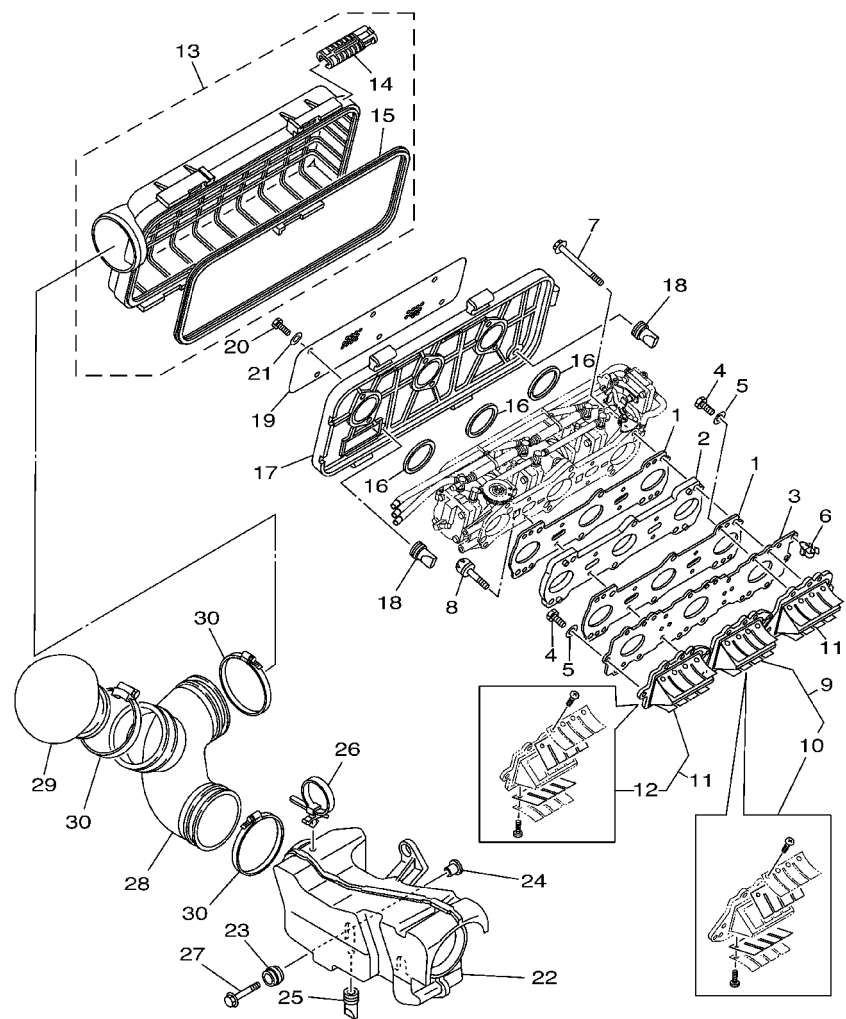


F0D5110-0030

REF. NO.	PART NO.	DESCRIPTION	U49	CAL	CAN	GENE	JPN	REMARKS
1	66V-11400-00	CRANKSHAFT ASSY	1	1	1	1	1	
2	66E-11412-00	.CRANK 1	1	1	1	1	1	
3	90387-35M01	.COLLAR	1	1	1	1	1	
4	93390-000U6	.BEARING	1	1	1	1	1	
5	66E-11685-00	.WASHER, CRANK PIN	6	6	6	6	6	
6	93310-627U6	.BEARING	3	3	3	3	3	
7	66E-11651-00	.ROD, CONNECTING	3	3	3	3	3	
8	66E-11422-00	.CRANK 2	3	3	3	3	3	
9	93306-208U1	.BEARING	4	4	4	4	4	
10	66E-11515-00	.SEAL, LABYRINTH 1	2	2	2	2	2	
11	66V-11452-00	.CRANK 5	1	1	1	1	1	
12	66E-11431-00	.CRANK 3	1	1	1	1	1	
13	66E-11442-00	.CRANK 4	1	1	1	1	1	
14	93306-308U1	.BEARING	1	1	1	1	1	
15	93603-10049	PIN, DOWEL	1	1	1	1	1	
16	93102-35M57	OIL SEAL	1	1	1	1	1	
17	93101-36M62	OIL SEAL	1	1	1	1	1	
18	93101-36M61	OIL SEAL	1	1	1	1	1	
19	66V-11631-00-A0	PISTON (STD)	3	3	3	3	3	UR RED
	66V-11631-00-B0	PISTON (STD)	3	3	3	3	3	UR ORANGE
	66V-11631-00-C0	PISTON (STD)	3	3	3	3	3	UR GREEN
	66V-11631-00-D0	PISTON (STD)	3	3	3	3	3	UR PURPLE
20	66V-11603-00	PISTON RING SET (STD)	3	3	3	3	3	
21	66E-11633-00	PIN, PISTON	3	3	3	3	3	
22	93310-422U2	BEARING	3	3	3	3	3	
23	90201-22M04	.WASHER, PLATE	6	6	6	6	6	
24	66E-11634-00	CLIP, PISTON PIN	6	6	6	6	6	



FIG. 4 INTAKE

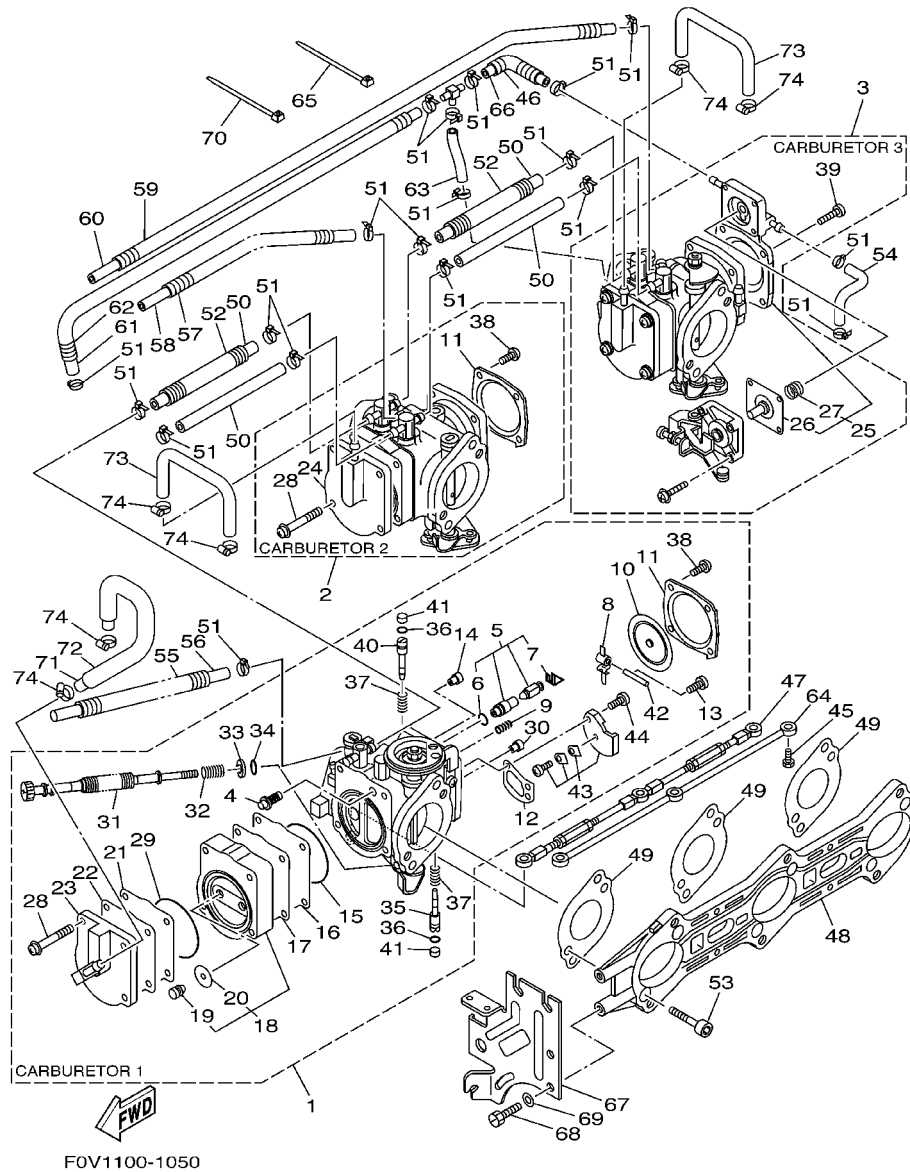


FOX5100-2040

REF. NO.	PART NO.	DESCRIPTION	U49	CAL	CAN	GENE	JPN	REMARKS
1	68N-13556-00	GASKET, MANIFOLD	2	2	2	2	2	
2	68N-14271-00	INSULATOR	1	1	1	1	1	
3	66V-13624-00-94	PLATE, REED VALVE	1	1	1	1	1	
4	97013-06025	BOLT	18	18	18	18	18	
5	92903-06600	WASHER, PLATE	18	18	18	18	18	
6	90464-14M55	CLAMP	1	1	1	1	1	
7	90105-08041	BOLT, FLANGE	6	6	6	6	6	
8	90109-06039	BOLT	4	4	4	4	4	
9	66V-13610-00	REED VALVE ASSY	1	1	1	1	1	
10	66V-W0004-00	.REED SET	1	1	1	1	1	
11	66V-13620-00	REED VALVE ASSY	2	2	2	2	2	
12	66V-W0004-00	.REED SET	1	1	1	1	1	
13	66V-14480-01	COVER SUB ASSY	1	1	1	1	1	
14	66V-13898-00	.HOLDER	5	5	5	5	5	
15	66V-14457-00	.SEAL	1	1	1	1	1	
16	66E-13473-00	O-RING	3	3	3	3	3	
17	67X-14284-00	COVER, CARBURETOR 2	1	1	1	1	1	
18	67X-42717-00	RUBBER, SEAL 2	2	2	2	2	2	
19	66V-14451-00	ELEMENT, AIR CLEANER	1	1	1	1	1	
20	97013-06045	BOLT	6	6	6	6	6	
21	92903-06600	WASHER, PLATE	6	6	6	6	6	
22	67X-14440-00	SILENCER ASSY, INTAKE	1	1	1	1	1	
23	90480-22M15	GROMMET	3	3	3	3	3	
24	90387-08M37	COLLAR	3	3	3	3	3	
25	67X-42717-00	RUBBER, SEAL 2	1	1	1	1	1	
26	90464-50001	CLAMP	1	1	1	1	1	
27	90119-08M22	BOLT, WITH WASHER	3	3	3	3	3	

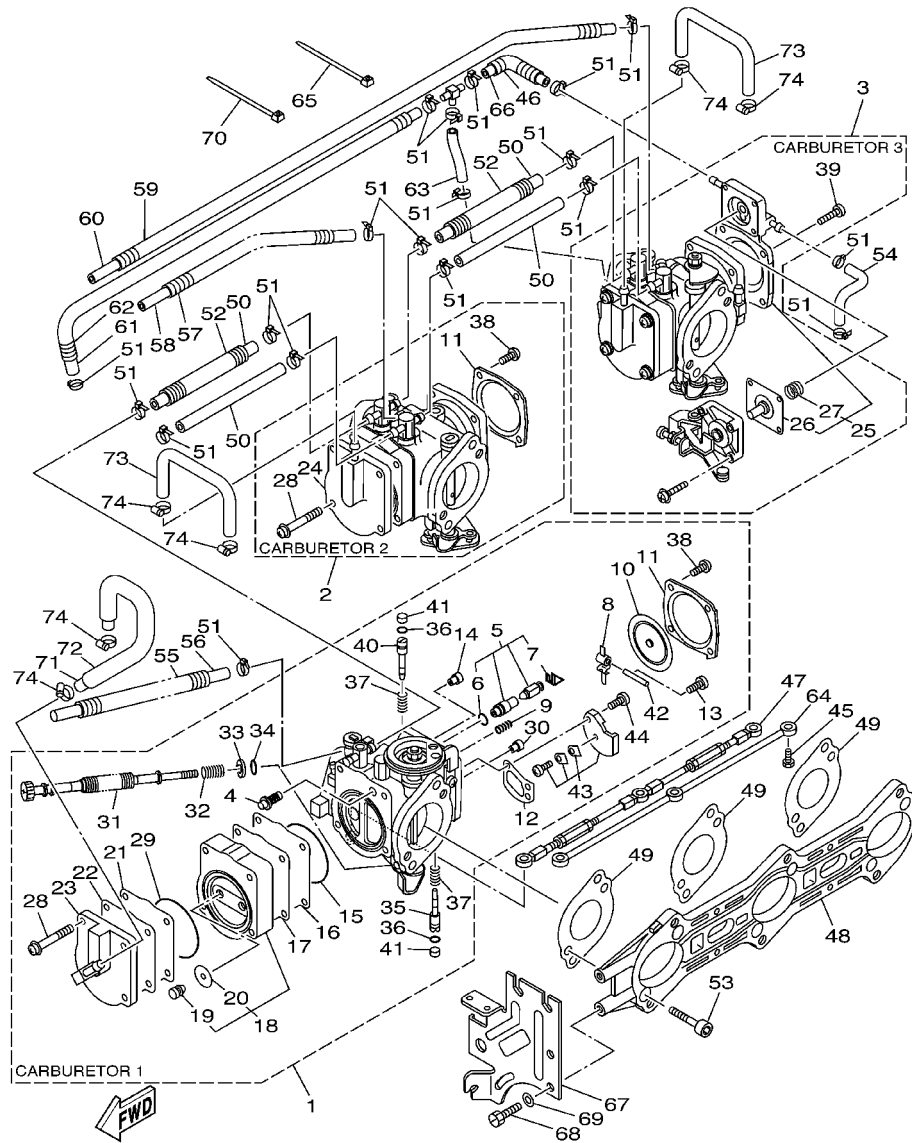


FIG. 5 CARBURETOR



REF. NO.	PART NO.	DESCRIPTION	U49	CAL	CAN	GENE	JPN	REMARKS
1	67X-14301-03	CARBURETOR ASSY 1	1	1	1		1	
2	67X-14302-03	CARBURETOR ASSY 2	1	1	1		1	
3	67X-14303-03	CARBURETOR ASSY 3	1	1	1		1	
4	6R7-14569-00	..STRAINER	3	3	3		3	
5	64T-14916-00	..NEEDLE	3	3	3		3	
6	8F2-14147-00	..O-RING	1	1	1		1	
7	7EG-14159-00	..CLIP	1	1	1		1	
8	6K8-14547-01	..ARM, FLOAT	3	3	3		3	
9	6R7-14253-00	..SPRING	3	3	3		3	
10	6R7-14541-00	..DIAPHRAGM, PUMP	3	3	3		3	
11	6R7-14542-00	..BODY, PUMP 1	2	2	2		2	CARBURETOR 1,2
12	6K8-14536-11	..GASKET	3	3	3		3	
13	6K8-14503-02	..SCREW	3	3	3		3	
14	3G2-1423A-74	..JET, MAIN (#117.5)	3	3	3		3	
15	66E-14563-01	..O-RING	3	3	3		3	
16	66E-24471-00	..DIAPHRAGM	3	3	3		3	
17	66E-24411-00	..DIAPHRAGM	3	3	3		3	
18	66E-24413-01	..BODY 2	3	3	3		3	
19	65U-24492-00	..BUSH, FULEL PUMP	2	2	2		2	
20	66E-24362-00	..VALVE, CHECK 1	2	2	2		2	
21	66E-24421-00	..VALVE, CHECK	3	3	3		3	
22	66E-24431-00	..GASKET, FUEL PUMP 1	3	3	3		3	
23	66V-24452-00	..COVER	1	1	1		1	CARBURETOR 1
24	66V-24452-10	..COVER	1	1	1		1	CARBURETOR 2,3
25	66E-14280-00	..COVER, CARBURETOR	1	1	1		1	CARBURETOR 3
26	66E-14170-00	..DIAPHRAGM ASS'Y	1	1	1		1	CARBURETOR 3
27	66E-14286-00	..SPRING	1	1	1		1	CARBURETOR 3

FIG. 5 CARBURETOR

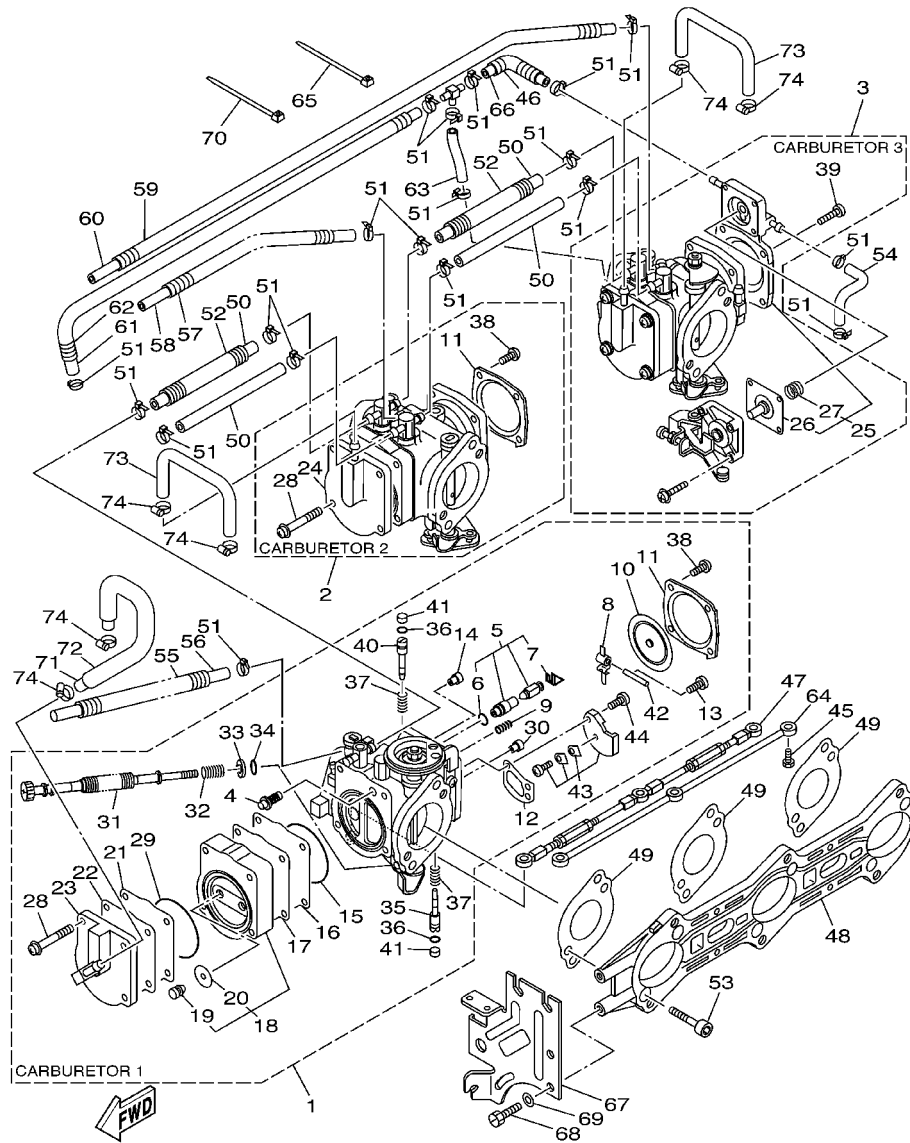


FOV1100-1050

REF. NO.	PART NO.	DESCRIPTION	U49	CAL	CAN	GENE	JPN	REMARKS
28	90157-05M17	.SCREW, PAN HEAD	12	12	12		12	
29	66E-14564-01	.O-RING	3	3	3		3	
30	1HX-14231-19	.JET, MAIN (# 95)	3	3	3		3	
31	66V-14124-00	.SCREW, CABLE ADJUSTING	1	1	1		1	CARBURETOR 1
32	3KW-14932-00	.SPRING, THROTTLE 2	1	1	1		1	CARBURETOR 1
33	812-14235-00	.WASHER, NEEDLE	1	1	1		1	CARBURETOR 1
34	812-14147-00	.O-RING	1	1	1		1	CARBURETOR 1
35	66V-14211-00	.SCREW, PILOT ADJUSTING	3	3	3		3	
36	93210-03119	.O-RING	6	6	6		6	
37	66V-14160-00	.COIL, SPRING	6	6	6		6	
38	97880-05010	.SCREW, PAN HEAD	8	8	8		8	CARBURETOR 1,2
39	98580-05014	.SCREW, PAN HEAD	4	4	4		4	CARBURETOR 3
40	66V-14946-00	.PLATE, NEEDLE FITTING	3	3	3		3	
41	66V-1432A-00	.PLUG	6	6	6		6	
42	439-14186-00	.PIN, FLOAT	3	3	3		3	
43	66E-24412-01	.BODY 1	3	3	3		3	
44	6K8-14523-11	.SCREW, STOP	6	6	6		6	
45	68N-14486-00	SCREW, ROD	3	3	3		3	
46	90447-07003	HOSE, WITH SPRING	1	1	1		1	
47	66V-41217-00	ROD, ACCEL. LEVER	1	1	1		1	
48	66V-14146-00	PLATE	1	1	1		1	
49	66E-14398-00	GASKET	3	3	3		3	
50	90445-11M73	HOSE	4	4	4		4	
51	35H-14139-00	CLIP, PIPE	19	19	19		19	
52	90446-17MG6	HOSE	2	2	2		2	
53	66E-14162-01	BOLT, HOLDING	6	6	6		6	
54	90445-07004	HOSE	1	1	1		1	



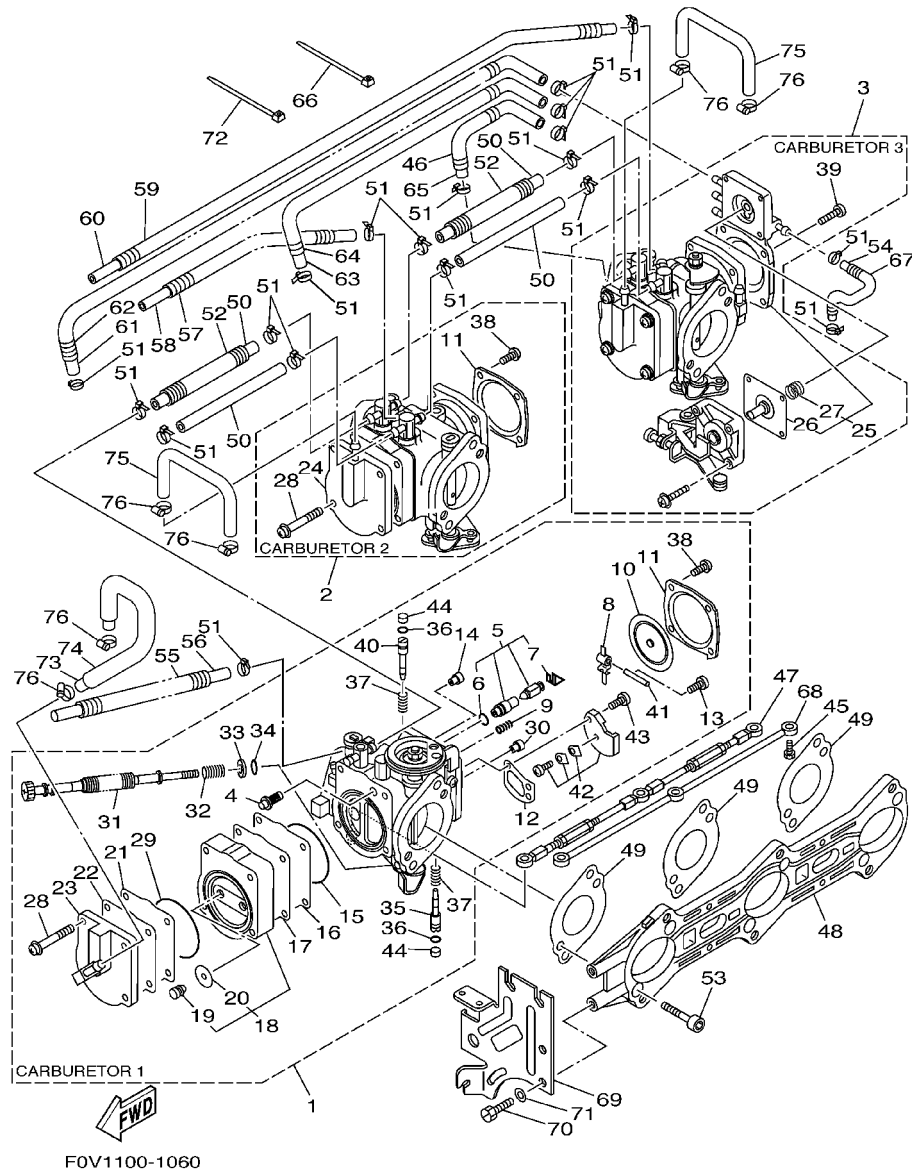
FIG. 5 CARBURETOR



FOV1100-1050

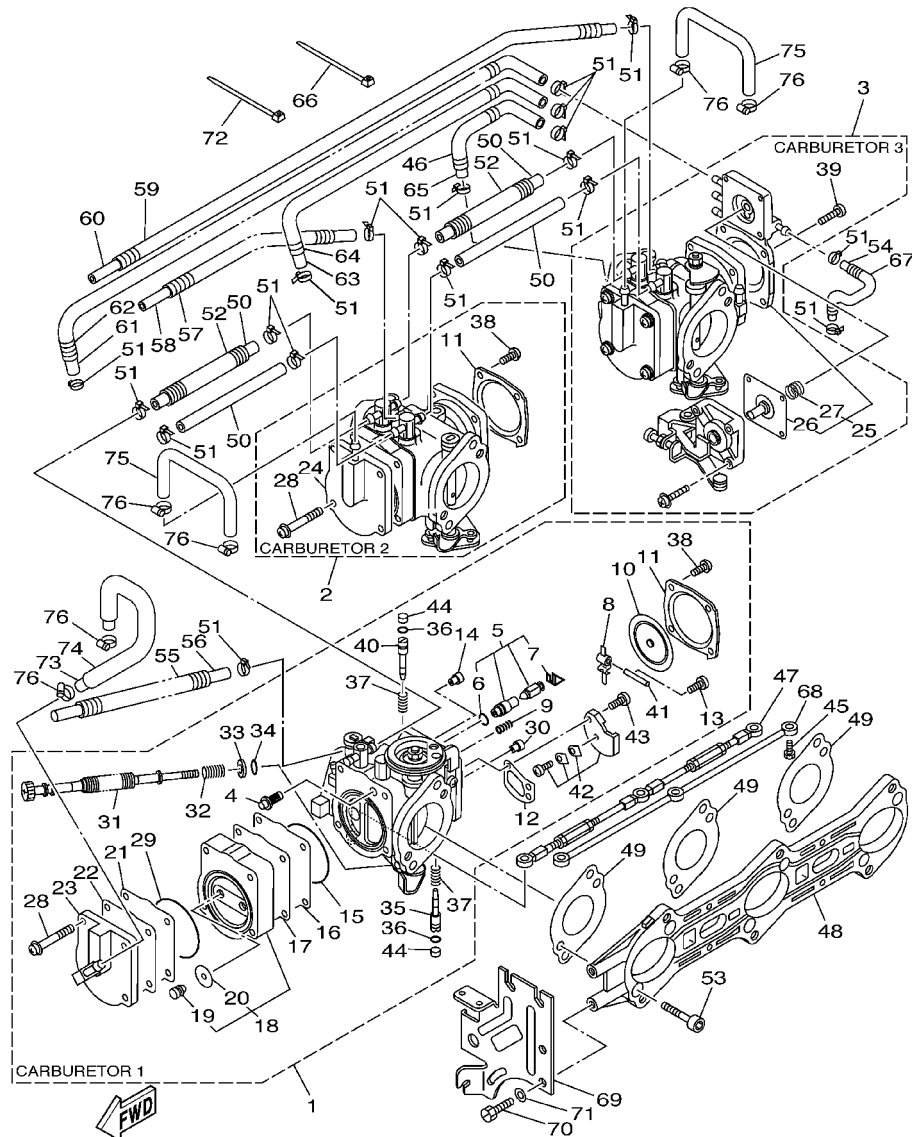
REF. NO.	PART NO.	DESCRIPTION	U49	CAL	CAN	GENE	JPN	REMARKS
55	90446-10MG0	HOSE	1	1	1		1	
56	90446-07MG1	HOSE	1	1	1		1	
57	90446-10MG2	HOSE	1	1	1		1	
58	90446-07MG3	HOSE	1	1	1		1	
59	90446-10MG4	HOSE	1	1	1		1	
60	90446-07MG5	HOSE	1	1	1		1	
61	90445-07005	HOSE	1	1	1		1	
62	90447-07004	HOSE, WITH SPRING	1	1	1		1	
63	90445-07003	HOSE	1	1	1		1	
64	68N-14585-00	ROD, CHOKE	1	1	1		1	
65	4KM-14137-00	CLIP	2	2	2		2	
66	66V-14294-00	HOSE	1	1	1		1	
67	66V-14527-00	PLATE	1	1	1		1	
68	97095-06012	BOLT	3	3	3		3	
69	92995-06600	WASHER	3	3	3		3	
70	90465-13M60	CLAMP	3	3	3		3	
71	66V-24312-00	PIPE 2	1	1	1		1	
72	90446-14MA9	HOSE	1	1	1		1	
73	66V-24313-01	PIPE 3	2	2	2		2	
74	90460-11M17	CLAMP, HOSE	6	6	6		6	

FIG. 6 CARBURETOR 2



REF. NO.	PART NO.	DESCRIPTION	U49	CAL	CAN	GENE	JPN	REMARKS
1	68B-14301-03	CARBURETOR ASSY 1					1	
2	68B-14302-03	CARBURETOR ASSY 2					1	
3	68B-14303-03	CARBURETOR ASSY 3					1	
4	6R7-14569-00	.STRAINER					3	
5	64T-14916-00	.NEEDLE					3	
6	8F2-14147-00	..O-RING					1	
7	7EG-14159-00	..CLIP					1	
8	6K8-14547-01	.ARM, FLOAT					3	
9	6R7-14253-00	.SPRING					3	
10	6R7-14541-00	.DIAPHRAGM, PUMP					3	
11	6R7-14542-00	.BODY, PUMP 1					2	CARBURETOR 1,2
12	6K8-14536-11	.GASKET					3	
13	6K8-14503-02	.SCREW					3	
14	3G2-14231-27	.JET, MAIN (#135)					3	
15	66E-14563-01	.O-RING					3	
16	66E-24471-00	.DIAPHRAGM					3	
17	66E-24411-00	.DIAPHRAGM					3	
18	66E-24413-01	.BODY 2					3	
19	65U-24492-00	..BUSH, FULEL PUMP					2	
20	66E-24362-00	..VALVE, CHECK 1					2	
21	66E-24421-00	.VALVE, CHECK					3	
22	66E-24431-00	.GASKET, FUEL PUMP 1					3	
23	66V-24452-00	.COVER					1	CARBURETOR 1
24	66V-24452-10	.COVER					1	CARBURETOR 2,3
25	67B-13784-00	.COVER, PUMP					1	CARBURETOR 3
26	67B-14170-00	..DIAPHRAGM ASS'Y					1	CARBURETOR 3
27	67B-14286-00	..SPRING					1	CARBURETOR 3

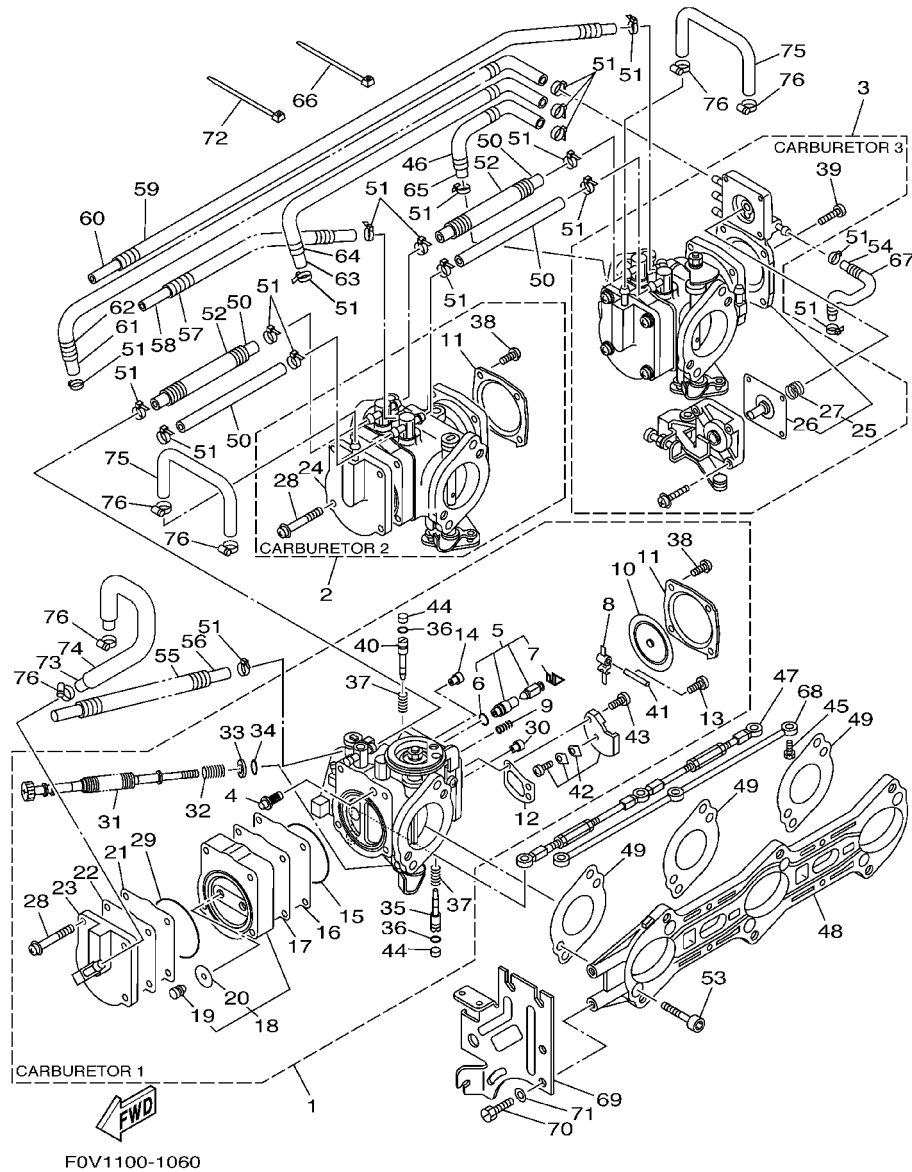
FIG. 6 CARBURETOR 2



FOV1100-1060

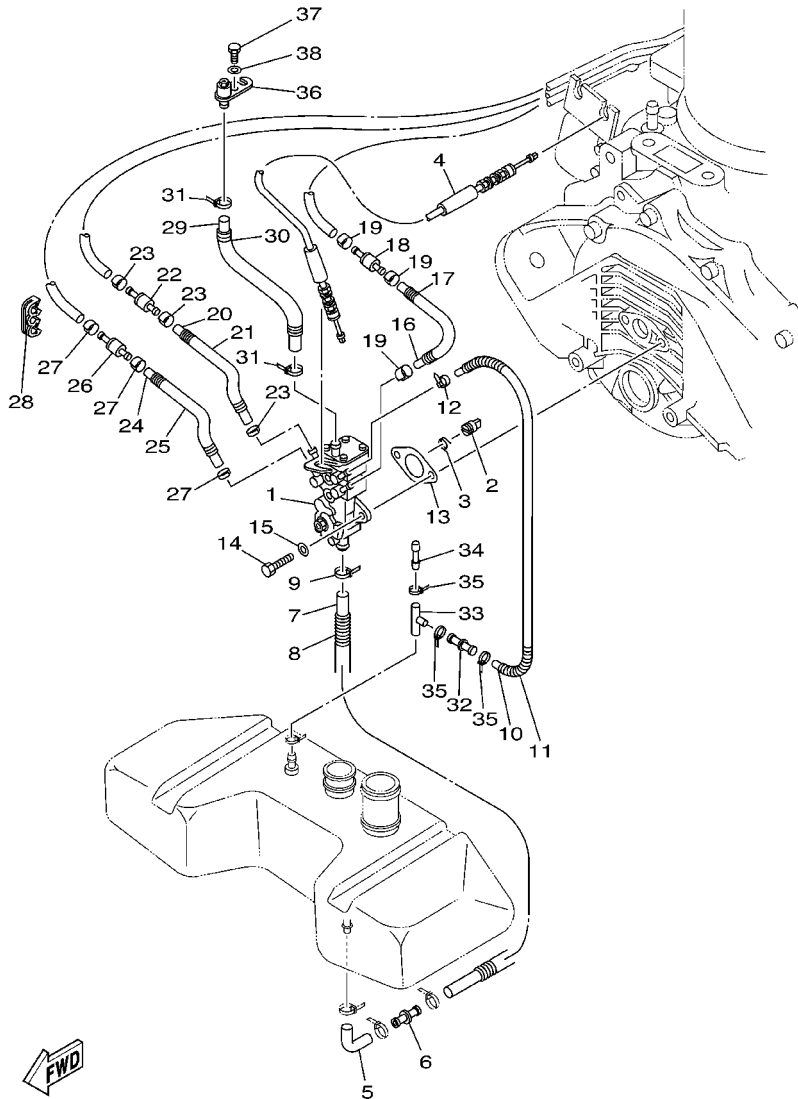
REF. NO.	PART NO.	DESCRIPTION	U49	CAL	CAN	GENE	JPN	REMARKS
28	90157-05M17	.SCREW, PAN HEAD					12	
29	66E-14564-01	.O-RING					3	
30	1HX-1423A-69	.JET, MAIN (# 92.5)					3	
31	66V-14124-00	.SCREW, CABLE ADJUSTING					1	CARBURETOR 1
32	3KW-14932-00	.SPRING, THROTTLE 2					1	CARBURETOR 1
33	812-14235-00	.WASHER, NEEDLE					1	CARBURETOR 1
34	812-14147-00	.O-RING					1	CARBURETOR 1
35	66V-14211-00	.SCREW, PILOT ADJUSTING					3	
36	93210-03119	.O-RING					6	
37	66V-14160-00	.COIL, SPRING					6	
38	97880-05010	.SCREW, PAN HEAD					8	CARBURETOR 1,2
39	98580-05014	.SCREW, PAN HEAD					4	CARBURETOR 3
40	66V-14946-00	.PLATE, NEEDLE FITTING					3	
41	439-14186-00	.PIN, FLOAT					3	
42	66E-24412-01	.BODY 1					3	
43	6K8-14523-11	.SCREW, STOP					6	
44	67B-14118-00	.CAP					6	
45	68N-14486-00	SCREW, ROD					3	
46	90446-10MG9	HOSE					1	
47	66V-41217-00	ROD, ACCEL. LEVER					1	
48	66V-14146-00	PLATE					1	
49	66E-14398-00	GASKET					3	
50	90445-11M73	HOSE					4	
51	35H-14139-00	CLIP, PIPE					19	
52	90446-17MG6	HOSE					2	
53	66E-14162-01	BOLT, HOLDING					6	
54	90445-07M60	HOSE					1	

FIG. 6 CARBURETOR 2



REF. NO.	PART NO.	DESCRIPTION	U49	CAL	CAN	GENE	JPN	REMARKS
55	90446-10MG0	HOSE					1	
56	90446-07MG1	HOSE					1	
57	90446-10MG2	HOSE					1	
58	90446-07MG3	HOSE					1	
59	90446-10MG4	HOSE					1	
60	90446-07MG5	HOSE					1	
61	90445-07M61	HOSE					1	
62	90446-10MG7	HOSE					1	
63	90445-07M62	HOSE					1	
64	90446-10MG8	HOSE					1	
65	90445-07M63	HOSE					1	
66	4KM-14137-00	CLIP					2	
67	67B-13976-00	PIPE, FUEL 6					1	
68	68N-14585-00	ROD, CHOKE					1	
69	66V-14527-00	PLATE					1	
70	97095-06012	BOLT					3	
71	92995-06600	WASHER					3	
72	90465-13M60	CLAMP					3	
73	66V-24312-00	PIPE 2					1	
74	90446-14MA9	HOSE					1	
75	66V-24313-01	PIPE 3					2	
76	90460-11M17	CLAMP, HOSE					6	

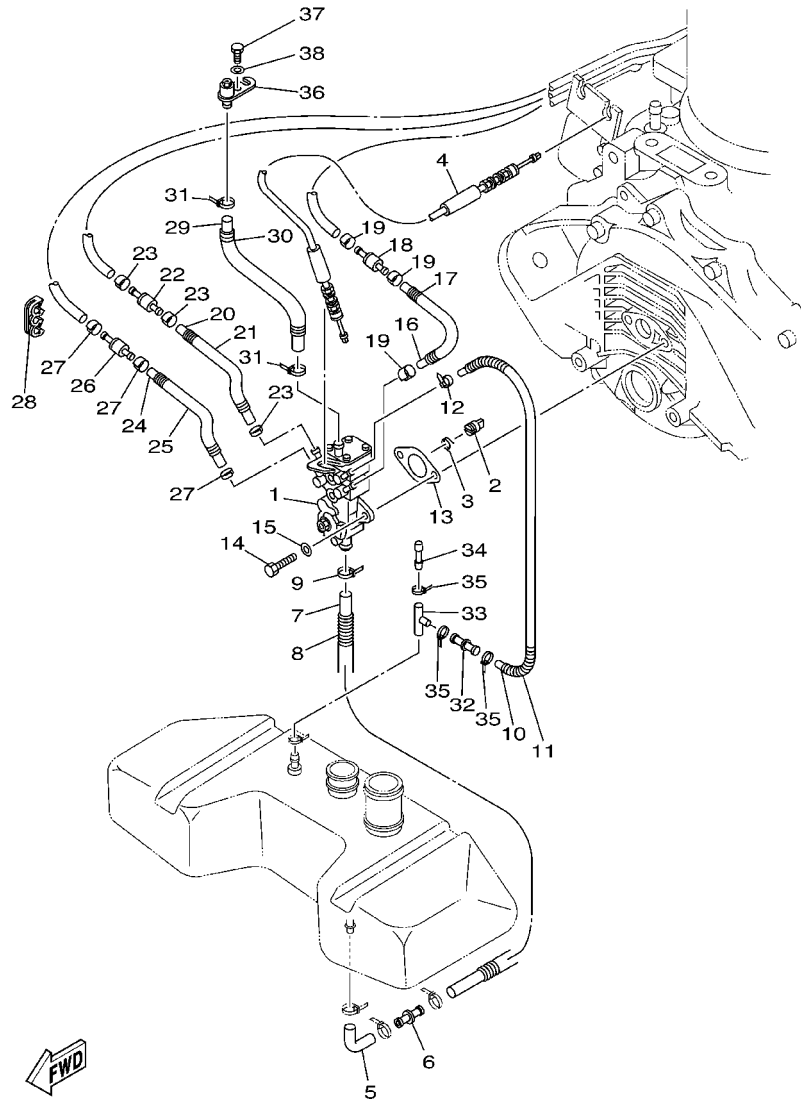
FIG. 7 OIL PUMP



FOX3100-1070

REF. NO.	PART NO.	DESCRIPTION	U49	CAL	CAN	GENE	JPN	REMARKS
1	66V-13200-00	OIL INJECTION PUMP ASSY	1	1	1	1	1	
2	65U-13132-00	JOINT	1	1	1	1	1	
3	66E-13469-00	SPRING	1	1	1	1	1	
4	66V-26320-00	PUMP CABLE ASSY	1	1	1	1	1	
5	90445-14M00	HOSE (L118)	1	1	1	1	1	
6	66V-51142-00	CONNECTION	1	1	1	1	1	
7	90445-11M33	HOSE	1	1	1	1	1	
8	90446-17ME2	HOSE	1	1	1	1	1	
9	90465-11M10	CLAMP	1	1	1	1	1	
10	90445-07M10	HOSE (L510)	1	1	1	1	1	
11	90447-07001	HOSE, WITH SPRING	1	1	1	1	1	
12	90468-02001	CLIP	1	1	1	1	1	
13	63M-13116-00	GASKET, PUMP CASE	1	1	1	1	1	
14	97095-06020	BOLT	2	2	2	2	2	
15	92995-06600	WASHER	2	2	2	2	2	
16	90445-07007	HOSE	1	1	1	1	1	
17	90446-10M82	HOSE	1	1	1	1	1	
18	67X-13183-00	VALVE, CHECK	1	1	1	1	1	
19	90468-02001	CLIP	3	3	3	3	3	
20	90445-07007	HOSE	1	1	1	1	1	
21	90446-10M82	HOSE	1	1	1	1	1	
22	67X-13183-00	VALVE, CHECK	1	1	1	1	1	
23	90468-02001	CLIP	3	3	3	3	3	
24	90445-07007	HOSE	1	1	1	1	1	
25	90446-10M82	HOSE	1	1	1	1	1	
26	67X-13183-00	VALVE, CHECK	1	1	1	1	1	
27	90468-02001	CLIP	3	3	3	3	3	

FIG. 7 OIL PUMP



F0X3100-1070

REF. NO.	PART NO.	DESCRIPTION	U49	CAL	CAN	GENE	JPN	REMARKS
28	90464-07M05	CLAMP	1	1	1	1	1	
29	66V-24314-00	PIPE 4	1	1	1	1	1	
30	90446-17ME8	HOSE	1	1	1	1	1	
31	90465-11M10	CLAMP	2	2	2	2	2	
32	63M-13132-00	JOINT	1	1	1	1	1	
33	63M-24378-00	PIPE, JOINT 4	1	1	1	1	1	
34	6G8-24376-00	PIPE, JOINT 1	1	1	1	1	1	
35	90465-11829	CLAMP	3	3	3	3	3	YMUS
36	66V-13185-00	BOLT, BREATHER	1	1	1	1	1	
37	97095-06012	BOLT	1	1	1	1	1	
38	92995-06600	WASHER	1	1	1	1	1	

FOR GENERAL

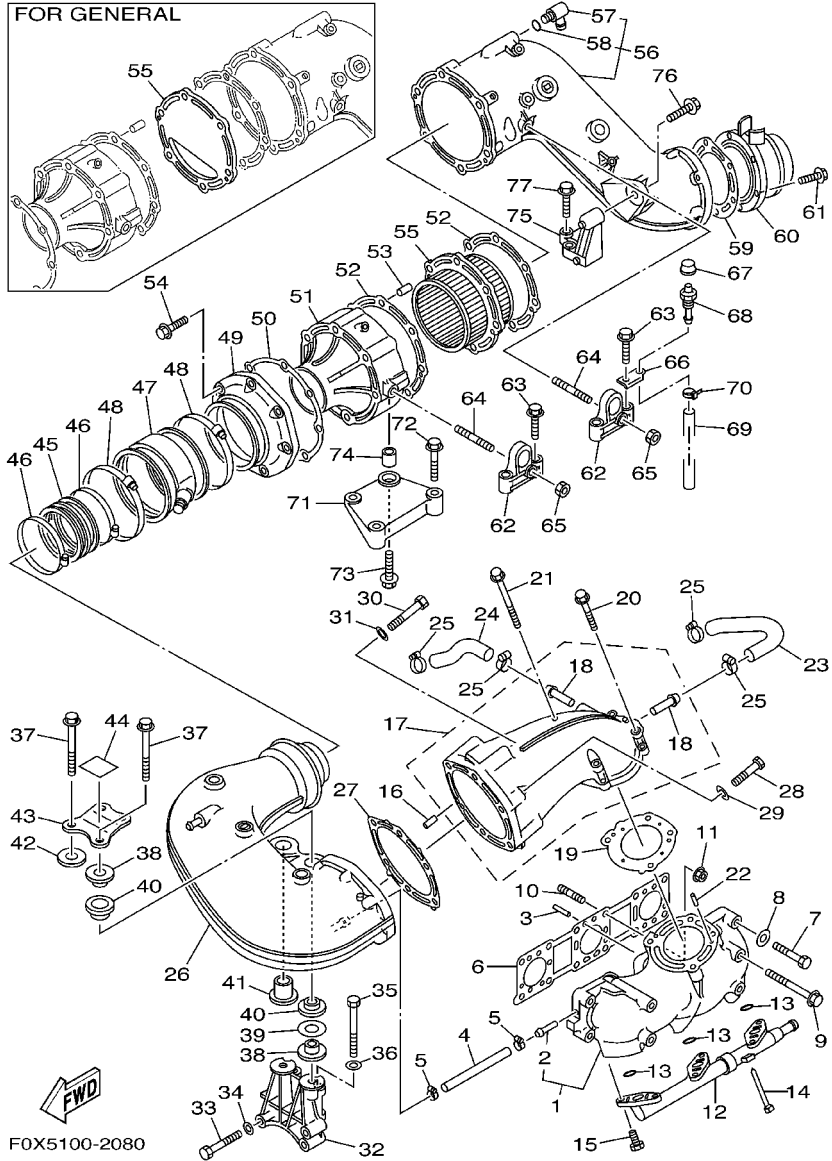


FIG. 8 EXHAUST 1

REF. NO.	PART NO.	DESCRIPTION	U49	CAL	CAN	GENE	JPN	REMARKS
1	66V-14711-00-8P	MUFFLER 1	1	1	1	1	1	
2	65U-14251-00	.NIPPLE	1	1	1	1	1	
3	93606-12019	PIN, DOWEL	2	2	2	2	2	
4	90445-12M10	HOSE (L125)	1	1	1	1	1	
5	90460-11M17	CLAMP, HOSE	2	2	2	2	2	
6	66V-14613-00	GASKET, EXHAUST PIPE	1	1	1	1	1	
7	97013-10055	BOLT	6	6	6	6	6	
8	92903-10600	WASHER, PLATE	6	6	6	6	6	
9	90119-10M11	BOLT, WITH WASHER	4	4	4	4	4	
10	90116-10M68	BOLT, STUD	2	2	2	2	2	
11	90179-10M36	NUT	2	2	2	2	2	
12	66V-24377-00	PIPE, JOINT 3	1	1	1	1	1	
13	93210-17MA4	O-RING	3	3	3	3	3	
14	90465-13M36	CLAMP	1	1	1	1	1	
15	90109-06M99	BOLT	6	6	6	6	6	
16	93606-12019	PIN, DOWEL	2	2	2	2	2	
17	66V-14712-00-8P	RING, JOINT	1	1	1	1	1	
18	66E-51129-00	.NIPPLE	2	2	2	2	2	
19	66V-14739-00	GASKET, MUFFLER DAMPER 1	1	1	1	1	1	
20	90119-10M20	BOLT, WITH WASHER	3	3	3	3	3	
21	90119-10M19	BOLT, WITH WASHER	1	1	1	1	1	
22	93606-12019	PIN, DOWEL	2	2	2	2	2	
23	66V-12576-00	HOSE 1	1	1	1	1	1	
24	66V-12577-00	HOSE 2	1	1	1	1	1	
25	90450-22M14	HOSE CLAMP ASSY	4	4	4	4	4	
26	66V-14721-01-8P	MUFFLER 2	1	1	1	1	1	
27	66V-14749-00	GASKET, MUFFLER DAMPER 2	1	1	1	1	1	

FOR GENERAL

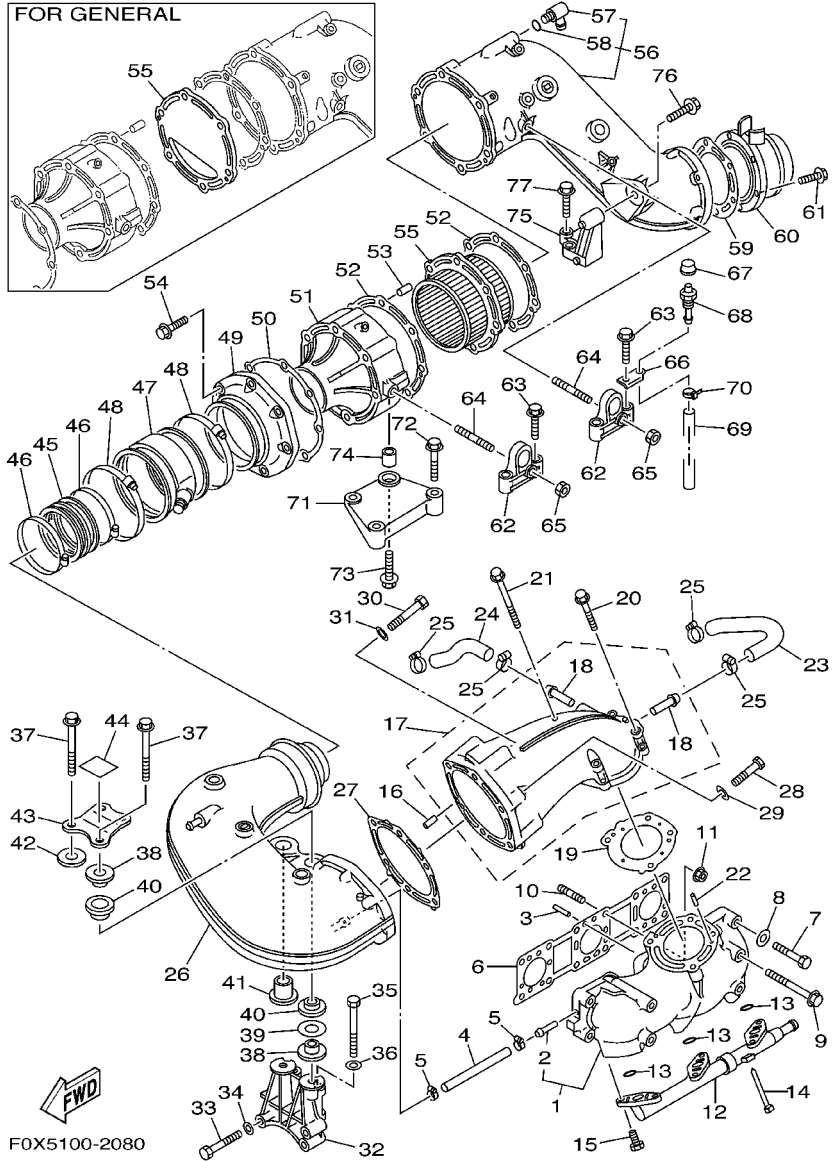


FIG. 8 EXHAUST 1

REF. NO.	PART NO.	DESCRIPTION	U49	CAL	CAN	GENE	JPN	REMARKS
28	97013-10065	BOLT	1	1	1	1	1	
29	92903-10600	WASHER, PLATE	1	1	1	1	1	
30	97013-10085	BOLT	5	5	5	5	5	
31	92903-10600	WASHER, PLATE	5	5	5	5	5	
32	66V-14771-01-94	STAY, MUFFLER 1	1	1	1	1	1	
33	97013-10060	BOLT	2	2	2	2	2	
34	92903-10600	WASHER, PLATE	2	2	2	2	2	
35	97013-10090	BOLT	2	2	2	2	2	
36	92903-10600	WASHER, PLATE	2	2	2	2	2	
37	90119-10M23	BOLT, WITH WASHER	2	2	2	2	2	
38	90387-12M05	COLLAR	2	2	2	2	2	
39	90201-28008	WASHER, PLATE	1	1	1	1	1	
40	90480-30M78	GROMMET	2	2	2	2	2	
41	66V-14779-00	COLLAR	1	1	1	1	1	
42	66V-1477L-00	PLATE 2	1	1	1	1	1	
43	66V-11152-00	BRACKET, CYLINDER HEAD COVER	1	1	1	1	1	
44	66V-14488-00	LABEL, CAUTION	1	1	1	1	1	
45	66V-14625-00	JOINT, EXHAUST 2	1	1	1	1	1	
46	90460-90M19	CLAMP, HOSE	2	2	2	2	2	
47	66V-14615-02	JOINT, EXHAUST 1	1	1	1	1	1	
48	90460-99M20	CLAMP, HOSE	2	2	2	2	2	
49	68N-41113-00-8P	OUTER COVER, EXHAUST	1	1	1		1	FOR USA,CAN,JPN
	66V-41113-01-8P	OUTER COVER, EXHAUST				1		FOR GENE
50	66V-41114-00	GASKET, EXHAUST OUTER COVER	1	1	1	1	1	
51	68N-41111-00-94	INNER COVER, EXHAUST	1	1	1		1	FOR USA,CAN,JPN
	66V-41111-02-8P	INNER COVER, EXHAUST				1		FOR GENE
52	66V-41124-00	GASKET, EXHAUST OUTER COVER	2	2	2	2	2	



FOR GENERAL

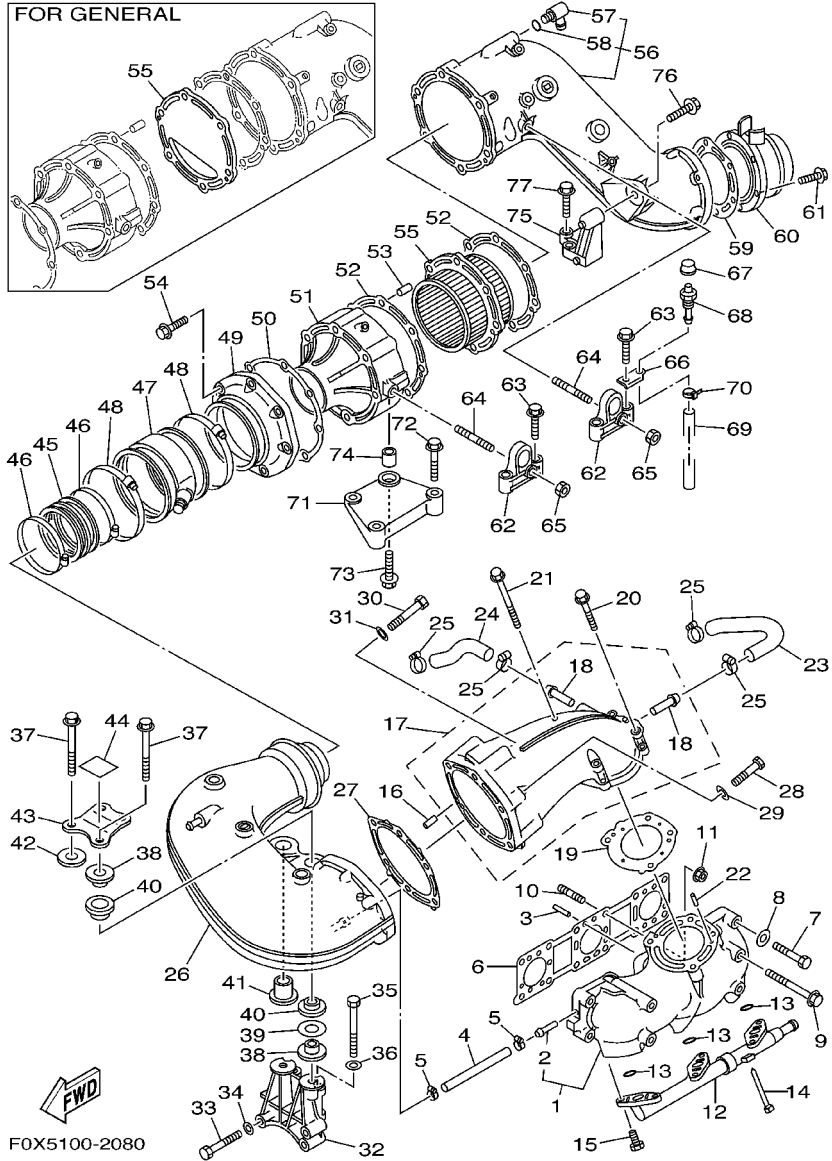
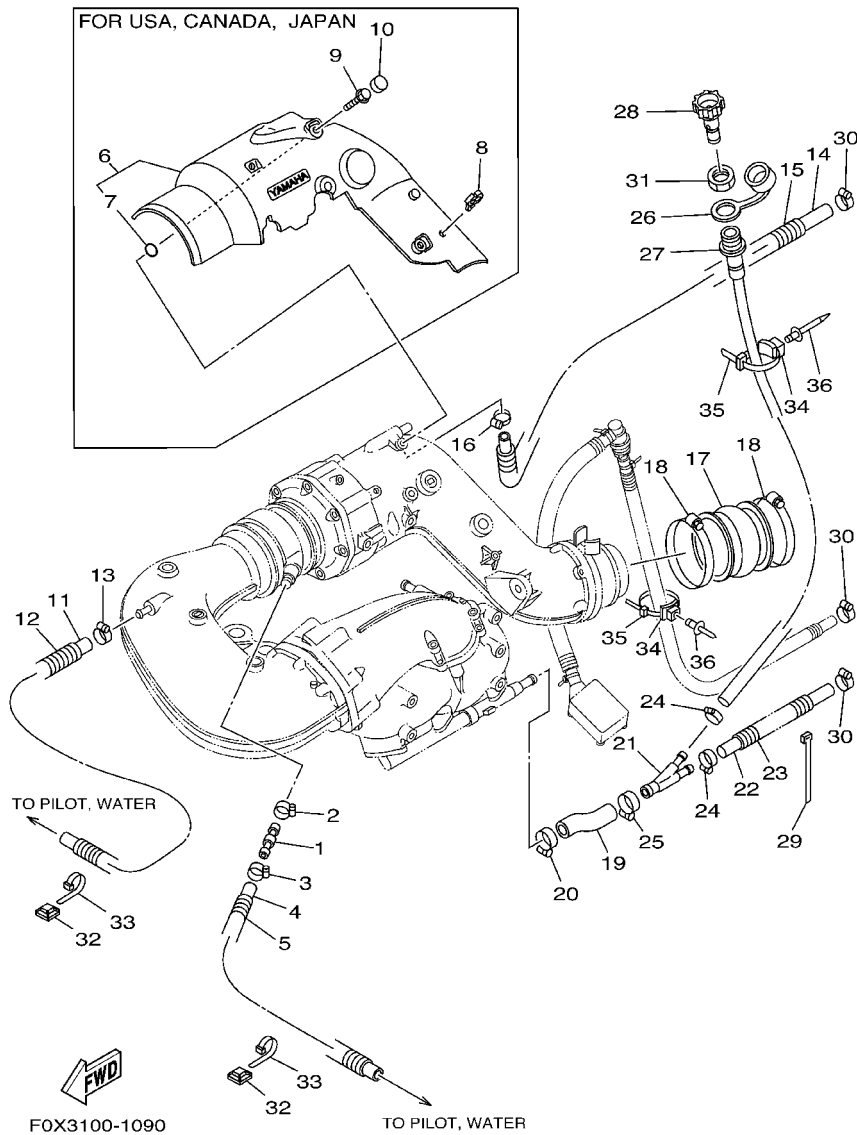


FIG. 8 EXHAUST 1

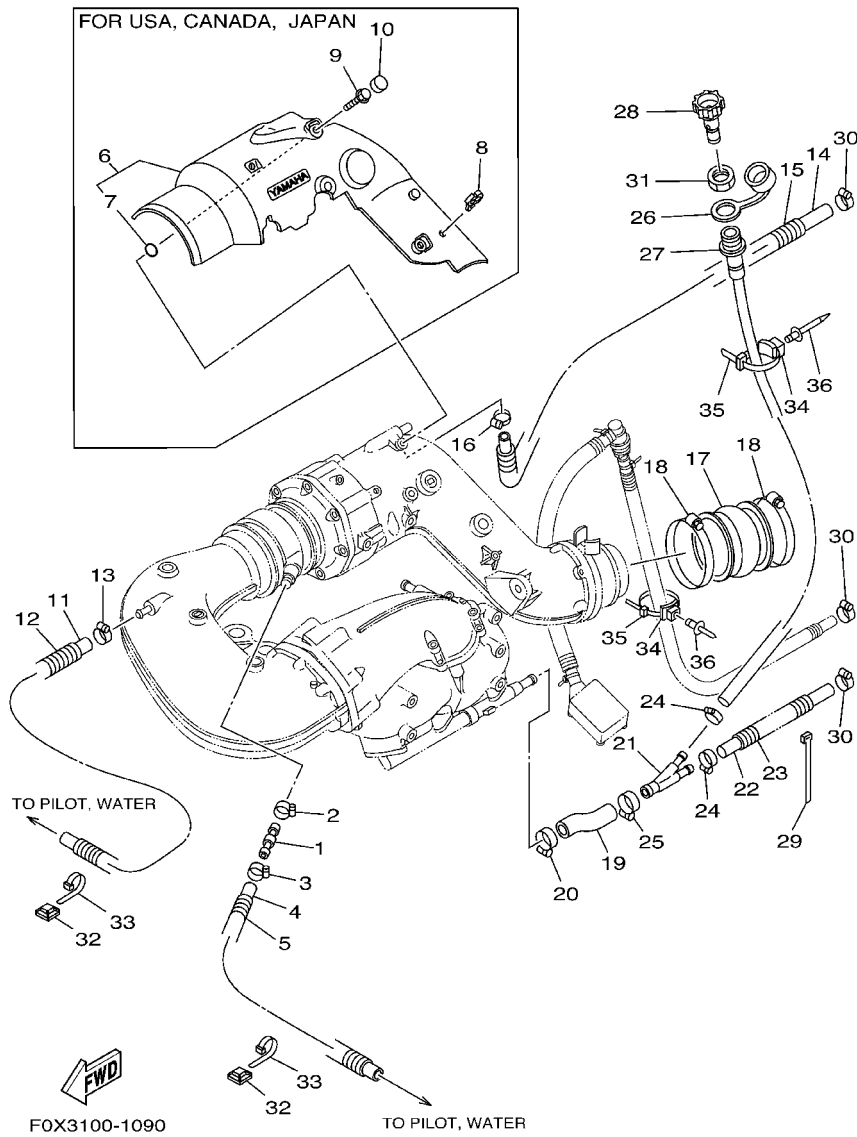
REF. NO.	PART NO.	DESCRIPTION	U49	CAL	CAN	GENE	JPN	REMARKS
53	93606-14081	PIN, DOWEL	2	2	2	2	2	
54	90119-08M63	BOLT, WITH WASHER	6	6	6	6	6	
55	66V-14740-01	CATALYST ASSY.	1	1	1		1	FOR USA,CAN,JPN
	67B-1465A-00	FLANGE 1				1		FOR GENE
56	68N-41123-00-8P	OUTER COVER, EXHAUST	1	1	1		1	FOR USA,CAN,JPN
	68B-41123-00-8P	OUTER COVER, EXHAUST					1	FOR GENE
57	67X-12481-00	.PIPE 1	1	1	1	1	1	
58	93210-17001	.O-RING	1	1	1	1	1	
59	68N-14623-00	GASKET, EXHAUST PIPE	1	1	1	1	1	
60	68N-14784-00-94	PIPE, TAIL	1	1	1	1	1	
61	90105-08M22	BOLT, FLANGE	6	6	6	6	6	
62	66E-14771-01-94	STAY, MUFFLER 1	2	2	2	2	2	
63	90119-10M18	BOLT, WITH WASHER	4	4	4	4	4	
64	90116-10M66	BOLT, STUD	2	2	2	2	2	
65	90179-10M35	NUT	2	2	2	2	2	
66	66V-1477K-00	PLATE 1	1	1	1	1	1	
67	663-45119-00	CAP, GREASE NIPPLE	1	1	1	1	1	
68	61L-5169A-00	NIPPLE, GREASE	1	1	1	1	1	
69	90445-09M33	HOSE (L580)	1	1	1	1	1	
70	90465-11M10	CLAMP	1	1	1	1	1	
71	66V-14782-00-94	STAY 5	1	1	1	1	1	
72	90105-10M87	BOLT, FLANGE	2	2	2	2	2	
73	97513-10545	BOLT, WITH WASHER	2	2	2	2	2	
74	99590-14016	PIN, DOWEL	1	1	1	1	1	
75	68N-14791-00-8P	STAY, MUFFLER	1	1	1	1	1	
76	90119-10M00	BOLT, WITH WASHER	2	2	2	2	2	
77	90119-10M13	BOLT, WITH WASHER	1	1	1	1	1	

FIG. 9 EXHAUST 2



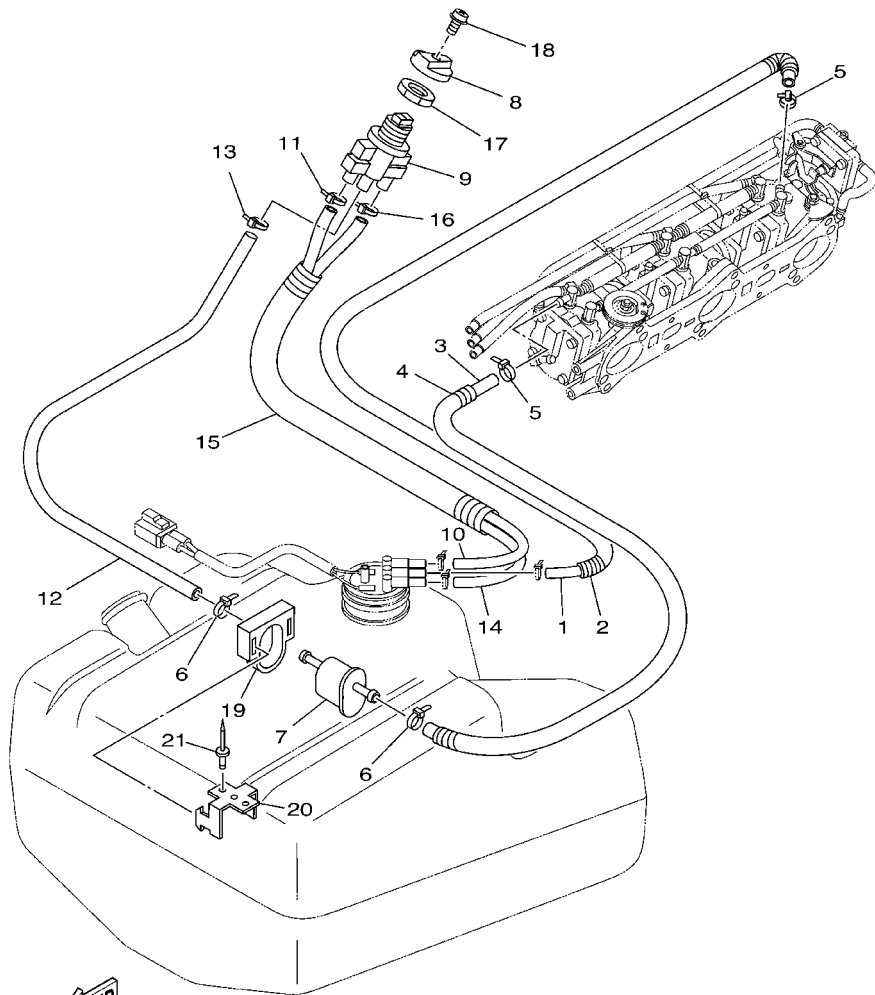
REF. NO.	PART NO.	DESCRIPTION	U49	CAL	CAN	GENE	JPN	REMARKS
1	66E-51142-00	CONNECTION	1	1	1	1	1	
2	90450-18M09	HOSE CLAMP ASSY	1	1	1	1	1	
3	90450-14M05	HOSE CLAMP ASSY	1	1	1	1	1	
4	90445-14M09	HOSE (L1020)	1	1	1	1	1	
5	90446-20M70	HOSE	1	1	1	1	1	
6	67X-14718-00	PROTECTOR, MUFFLER 1	1	1	1		1	FOR USA,CAN,JPN
7	90430-09M10	.GASKET	3	3	3		3	FOR USA,CAN,JPN
8	90464-07M56	CLAMP	1	1	1		1	FOR USA,CAN,JPN
9	90109-06M99	BOLT	3	3	3		3	FOR USA,CAN,JPN
10	66V-15779-00	COVER	3	3	3		3	FOR USA,CAN,JPN
11	90445-14M18	HOSE (L560)	1	1	1	1	1	
12	90446-20M65	HOSE	1	1	1	1	1	
13	90450-18M09	HOSE CLAMP ASSY	1	1	1	1	1	
14	90445-21002	HOSE (L900)	1	1	1	1	1	
15	90446-27M95	HOSE	1	1	1	1	1	
16	90450-22M14	HOSE CLAMP ASSY	1	1	1	1	1	
17	66V-14752-00	PIPE, OUTLET	1	1	1	1	1	
18	90450-99M02	HOSE CLAMP ASSY	2	2	2	2	2	
19	66V-12579-00	HOSE 4	1	1	1	1	1	
20	90450-22M14	HOSE CLAMP ASSY	1	1	1	1	1	
21	66V-12581-00	JOINT, HOSE 1	1	1	1	1	1	
22	90445-18M02	HOSE (L700)	1	1	1	1	1	
23	90446-24M52	HOSE	1	1	1	1	1	
24	90450-18M09	HOSE CLAMP ASSY	2	2	2	2	2	
25	90450-22M14	HOSE CLAMP ASSY	1	1	1	1	1	
26	682-84385-01	CAP,1	1	1	1	1	1	
27	64T-12580-00	JOINT ASSY	1	1	1	1	1	

FIG. 9 EXHAUST 2



REF. NO.	PART NO.	DESCRIPTION	U49	CAL	CAN	GENE	JPN	REMARKS
28	67X-12590-00	CONDUCTION ASSY	1	1				FOR USA
	67X-12590-10	CONDUCTION ASSY					1	FOR JPN
	67X-12590-20	CONDUCTION ASSY			1	1		FOR CAN,GENE
29	90601-200U2	BAND	1	1	1	1	1	YMUS
30	90601-118UF	BAND, HOSE 18	3	3	3	3	3	YMUS
31	EU0-61652-00	NUT	1	1	1	1	1	
32	90600-900U6	BASE, CLAMP	3	3	3	3	3	YMUS
33	90464-40825	CLAMP	3	3	3	3	3	YMUS
34	90600-917U4	CLAMP COMP.	5	5	5	5	5	YMUS
35	90601-200U2	BAND	5	5	5	5	5	YMUS
36	90267-48802	RIVET, BLIND	5	5	5	5	5	YMUS

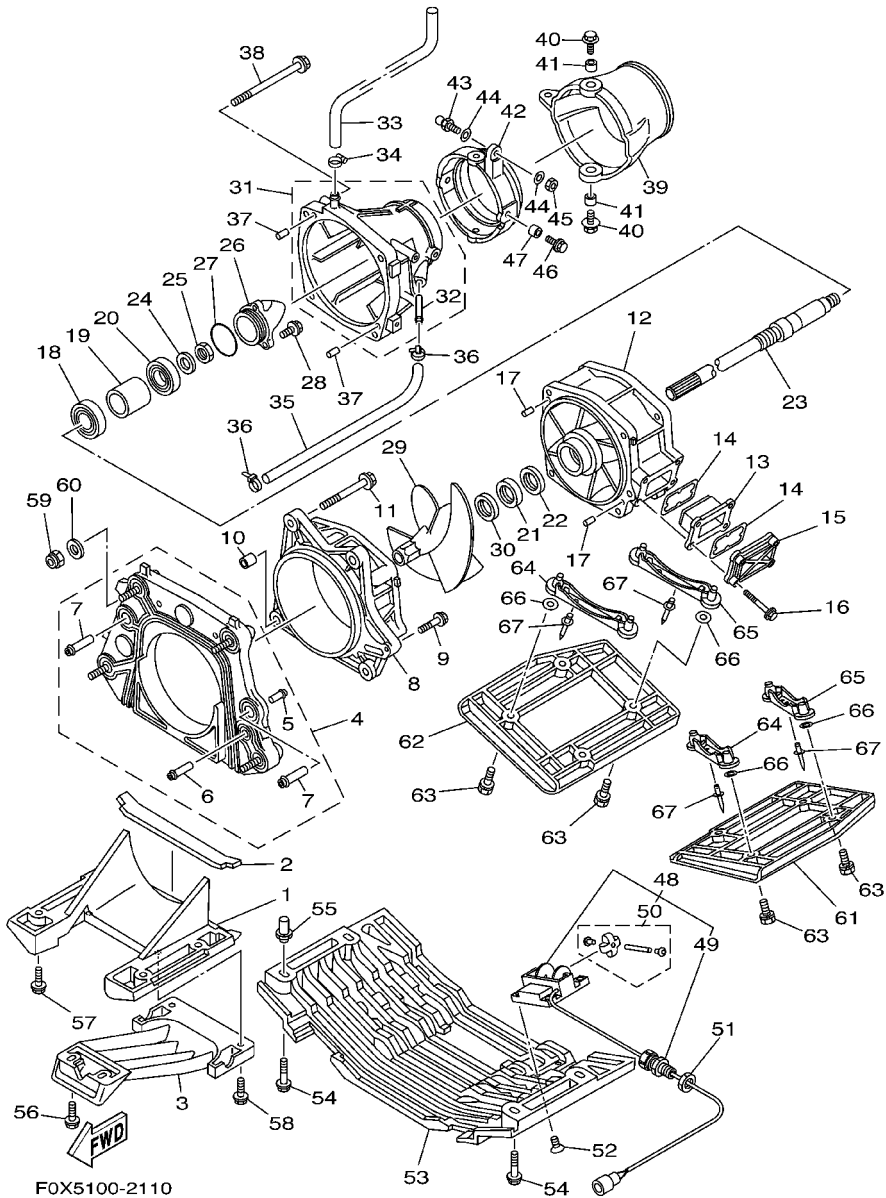
FIG. 10 FUEL



FOX5100-2100

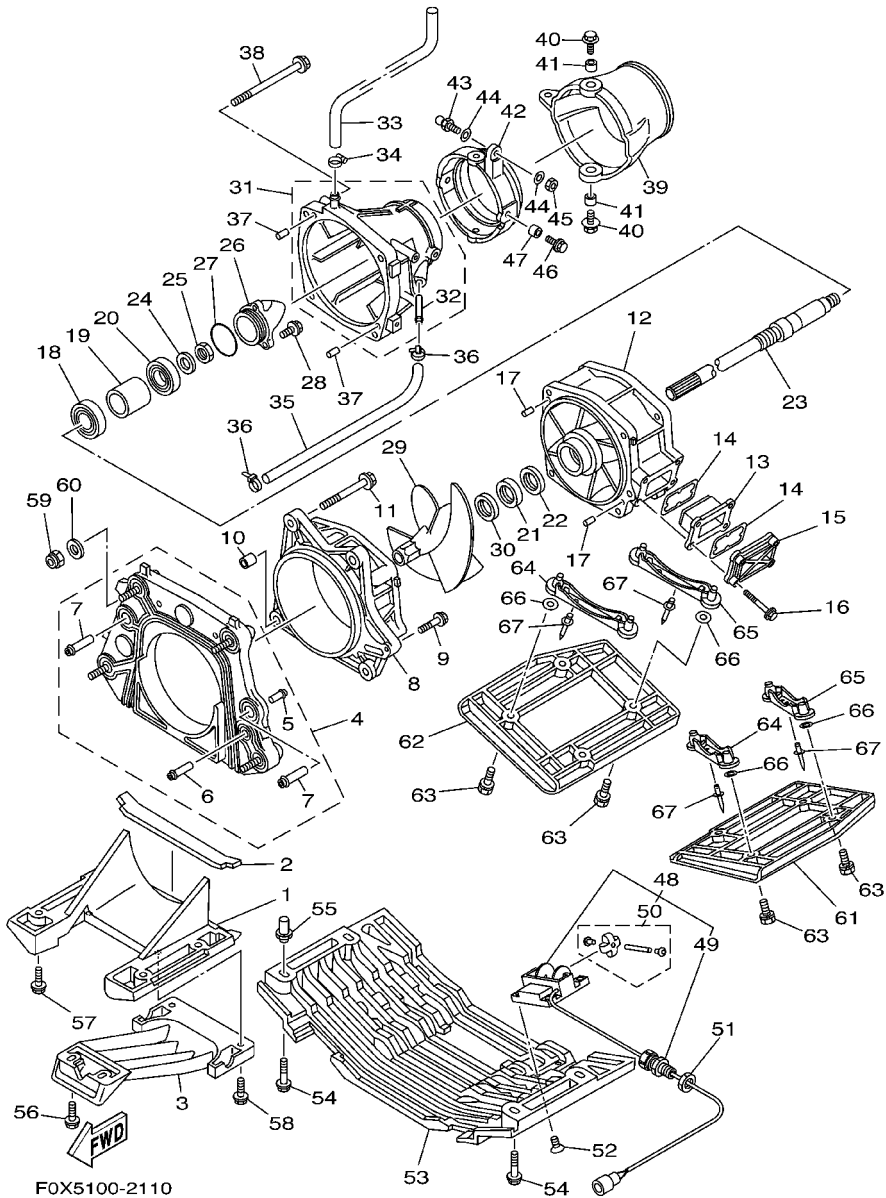
REF. NO.	PART NO.	DESCRIPTION	U49	CAL	CAN	GENE	JPN	REMARKS
1	90445-11009	HOSE (L1500)	1	1	1	1	1	
2	90447-13001	HOSE, WITH SPRING	1	1	1	1	1	
3	90445-11022	HOSE	1	1	1	1	1	
4	90447-13006	HOSE, WITH SPRING	1	1	1	1	1	
5	90465-11M10	CLAMP	2	2	2	2	2	
6	90465-11829	CLAMP	2	2	2	2	2	YMUS
7	66V-24560-00	FILTER ASSY	1	1	1	1	1	
8	6K8-24524-10	LEVER, COCK	1	1	1	1	1	
9	66V-24500-02	FUEL COCK ASSY 1	1	1	1	1	1	
10	90445-11006	HOSE (L580)	1	1	1	1	1	
11	90465-11M10	CLAMP	1	1	1	1	1	
12	90445-11007	HOSE (L500)	1	1	1	1	1	
13	90465-11M10	CLAMP	1	1	1	1	1	
14	90445-11008	HOSE (L550)	1	1	1	1	1	
15	90446-27M55	HOSE	1	1	1	1	1	
16	90465-11M10	CLAMP	1	1	1	1	1	
17	90170-22187	NUT	1	1	1	1	1	
18	90159-04800	SCREW, WITH WASHER	1	1	1	1	1	YMUS
19	EU0-U7817-00	HOLDER, FILTER	1	1	1	1	1	YMUS
20	FN8-67816-00	BRACKET, FUEL FILTER	1	1	1	1	1	
21	90267-489U1	RIVET,BLIND	2	2	2	2	2	YMUS

FIG. 11 JET UNIT 1



REF. NO.	PART NO.	DESCRIPTION	U49	CAL	CAN	GENE	JPN	REMARKS
1	67X-51311-00-94	DUCT, INTAKE	1	1	1	1	1	
2	67X-51367-00	FELT, PACKING	1	1	1	1	1	
3	67X-51333-00-94	SCREEN, INTAKE	1	1	1	1	1	
4	66V-G5831-02	PLATE, TRANSOM	1	1	1	1	1	YMUS
5	65A-R1129-00	.NIPPLE	1	1	1	1	1	YMUS
6	66V-51129-01	.NIPPLE	1	1	1	1	1	
7	66V-51129-10	.NIPPLE	2	2	2	2	2	
8	66V-51312-01-94	HOUSING, IMPELLER	1	1	1	1	1	
9	90119-06835	BOLT, WITH WASHER	1	1	1	1	1	YMUS
10	99590-14016	PIN, DOWEL	2	2	2	2	2	
11	90119-10836	BOLT, WITH WASHER	4	4	4	4	4	YMUS
12	66V-51315-00-94	DUCT, IMPELLER	1	1	1	1	1	
13	66V-46882-00	FILTER	1	1	1	1	1	
14	66V-42414-00	O-RING	2	2	2	2	2	
15	66V-45214-00-94	COVER, WATER INLET	1	1	1	1	1	
16	90119-06800	BOLT, WITH WASHER	4	4	4	4	4	YMUS
17	93606-12019	PIN, DOWEL	2	2	2	2	2	
18	93306-205U0	BEARING	1	1	1	1	1	
19	65V-45538-00	SPACER 1	1	1	1	1	1	
20	93306-304U1	BEARING	1	1	1	1	1	
21	93101-28M66	OIL SEAL	1	1	1	1	1	
22	93101-28M65	OIL SEAL	1	1	1	1	1	
23	68Y-45511-00	SHAFT, DRIVE	1	1	1	1	1	
24	9299R-16600	WASHER	1	1	1	1	1	YMUS
25	9531P-16700	NUT	1	1	1	1	1	YMUS
26	65A-R1326-00	CAP	1	1	1	1	1	YMUS
27	93210-46M16	O-RING	1	1	1	1	1	

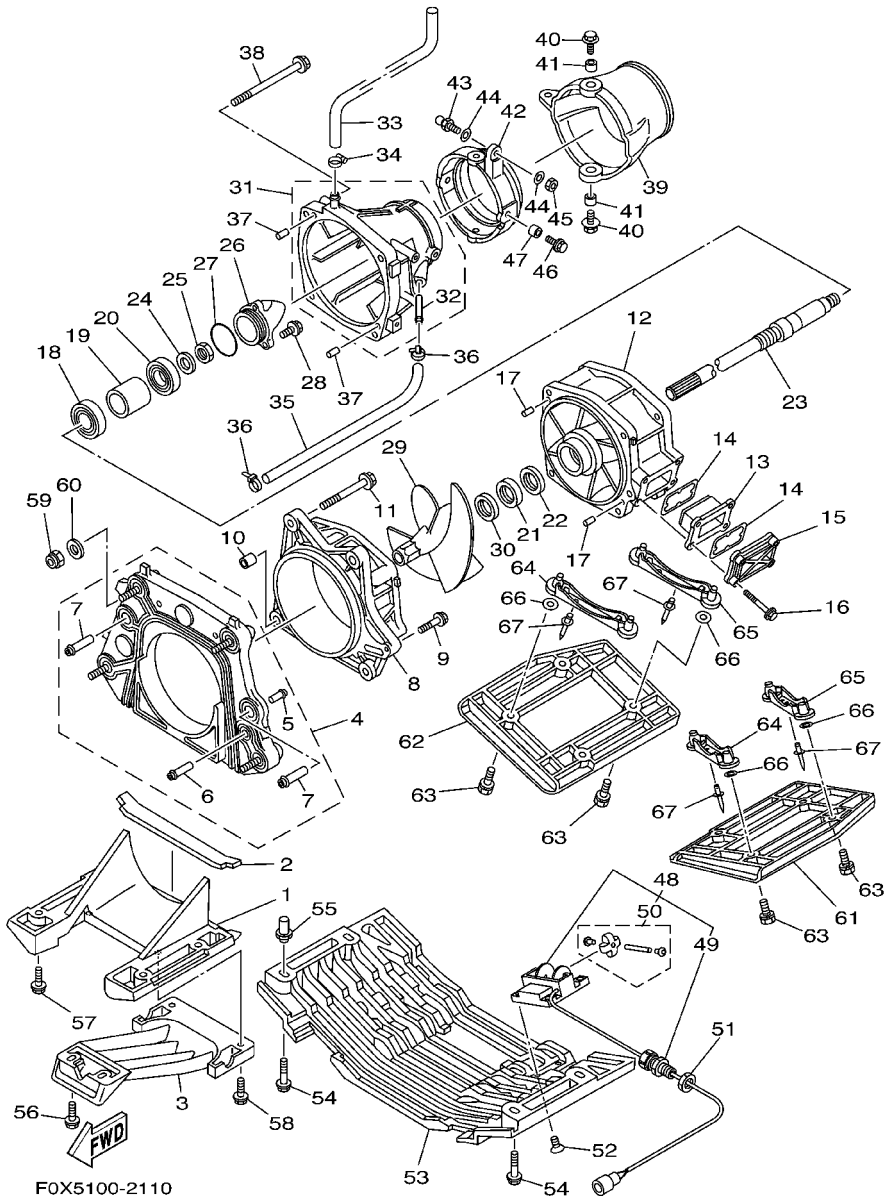
FIG. 11 JET UNIT 1



FOX5100-2110

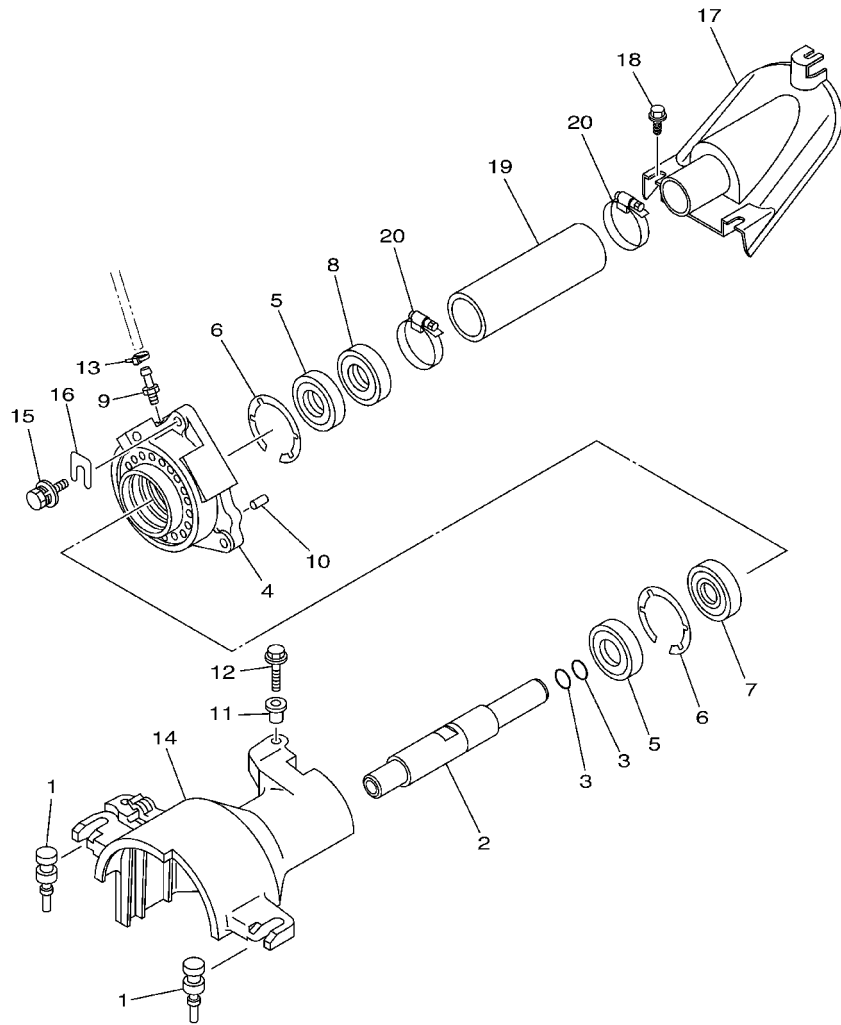
REF. NO.	PART NO.	DESCRIPTION	U49	CAL	CAN	GENE	JPN	REMARKS
28	90119-069UB	BOLT, WITH WASHER	3	3	3	3	3	YMUS
29	68N-R1321-00	IMPELLER	1	1	1	1	1	YMUS
30	66V-R1348-10	SPACER	1	1	1	1	1	YMUS
31	67X-51318-00-94	NOZZLE	1	1	1	1	1	
32	63M-51334-00	.NIPPLE,HOSE	1	1	1	1	1	
33	67X-51673-00	PIPE 1	1	1	1	1	1	
34	90601-118UF	BAND, HOSE 18	1	1	1	1	1	YMUS
35	90445-14898	HOSE (L270)	1	1	1	1	1	YMUS
36	90465-11829	CLAMP	2	2	2	2	2	YMUS
37	93606-12019	PIN, DOWEL	2	2	2	2	2	
38	90119-10837	BOLT, WITH WASHER	4	4	4	4	4	YMUS
39	66V-R1313-01	NOZZLE,DEFLECTOR	1	1	1	1	1	YMUS
40	90119-089UE	BOLT, WITH WASHER	2	2	2	2	2	YMUS
41	90387-08M06	COLLAR	2	2	2	2	2	
42	66G-51190-00-94	RING,TRIM	1	1	1	1	1	
43	GH3-U146E-00	STUD, JOINT BALL	1	1	1	1	1	YMUS
44	90201-068M4	WASHER, PLATE	2	2	2	2	2	YMUS
45	9538R-06700	NUT	1	1	1	1	1	YMUS
46	90119-089UE	BOLT, WITH WASHER	2	2	2	2	2	YMUS
47	90387-08M06	COLLAR	2	2	2	2	2	
48	GJ1-U8K31-02	SENSOR SPEED	1	1	1	1	1	YMUS
49	EU0-67267-20	.CONNECTOR, CABLE	1	1	1	1	1	
50	GJ1-U835D-00	.SERVIS KIT (SPEED SENSOR)	1	1	1	1	1	YMUS
51	EU0-62241-30	NUT, DRAIN 1	1	1	1	1	1	
52	9878R-05512	SCREW, FLAT HEAD	4	4	4	4	4	YMUS
53	F0X-U273B-00	PLATE 2	1	1	1	1	1	YMUS
54	90119-089U6	BOLT, WITH WASHER	4	4	4	4	4	YMUS

FIG. 11 JET UNIT 1



REF. NO.	PART NO.	DESCRIPTION	U49	CAL	CAN	GENE	JPN	REMARKS
55	90179-089U7	NUT	4	4	4	4	4	YMUS
56	90119-069UK	BOLT, WITH WASHER	2	2	2	2	2	YMUS
57	90119-089U6	BOLT, WITH WASHER	4	4	4	4	4	YMUS
58	90119-069UB	BOLT, WITH WASHER	2	2	2	2	2	YMUS
59	9572R-10300	NUT, FLANGE	4	4	4	4	4	YMUS
60	90201-10801	WASHER, PLATE	4	4	4	4	4	YMUS
61	F0X-6884R-00	PLATE, STEP 1	1	1	1	1	1	
62	F0X-6884S-00	PLATE, STEP 2	1	1	1	1	1	
63	90119-069UD	BOLT, WITH WASHER	8	8	8	8	8	YMUS
64	F0X-6885R-00	PLATE, STEP 1	2	2	2	2	2	
65	F0X-6885S-00	PLATE, STEP 2	2	2	2	2	2	
66	F0X-62663-01	PACKING 1	8	8	8	8	8	
67	90267-48806	RIVET, BLIND	4	4	4	4	4	YMUS

FIG. 12 JET UNIT 2

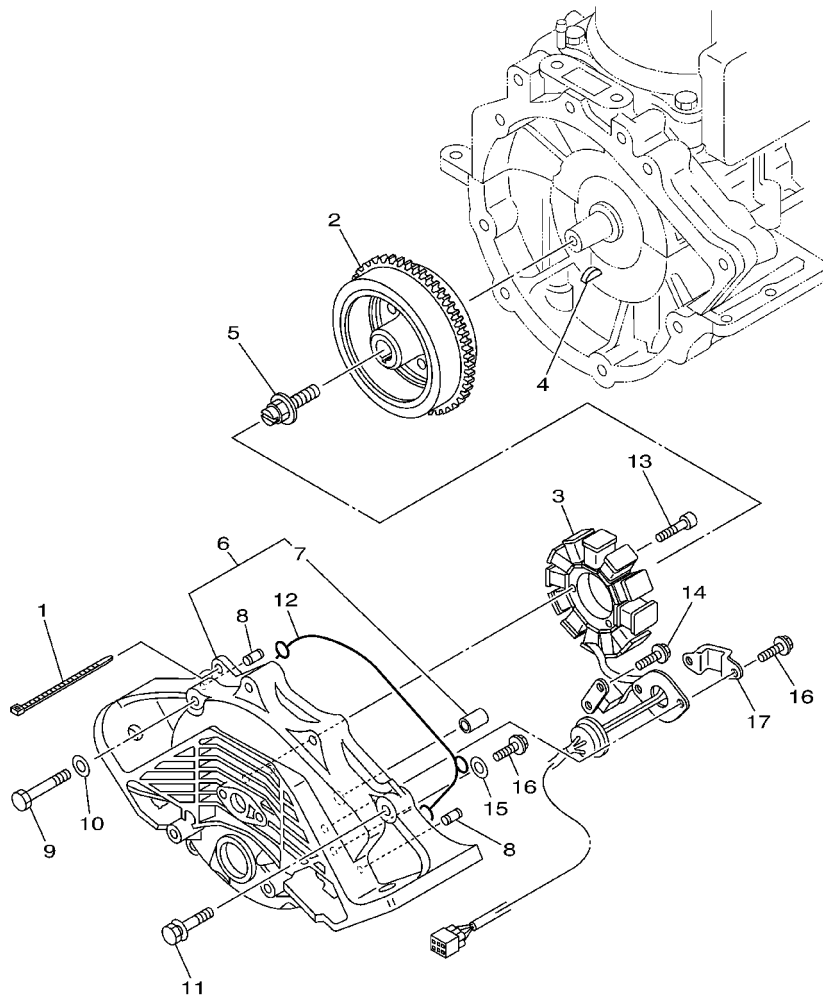


FOX5100-2120

REF. NO.	PART NO.	DESCRIPTION	U49	CAL	CAN	GENE	JPN	REMARKS
1	90480-06M46	GROMMET	2	2	2	2	2	
2	68N-51323-00	SHAFT, COUPLOR	1	1	1	1	1	
3	93210-19MJ4	O-RING	2	2	2	2	2	
4	61X-45332-03-94	HOUSING, BEARING	1	1	1	1	1	
5	93101-25M55	OIL SEAL	2	2	2	2	2	
6	93430-47M04	CIRCLIP	2	2	2	2	2	
7	93306-205U6	BEARING	1	1	1	1	1	
8	93101-25M56	OIL SEAL	1	1	1	1	1	
9	61L-45378-00	NIPPLE, HOSE	1	1	1	1	1	
10	93606-12019	PIN, DOWEL	2	2	2	2	2	
11	90387-06M60	COLLAR	1	1	1	1	1	
12	90119-069UD	BOLT, WITH WASHER	1	1	1	1	1	YMUS
13	90465-11829	CLAMP	1	1	1	1	1	YMUS
14	66V-R1381-00	COVER	1	1	1	1	1	YMUS
15	90119-089UL	BOLT, WITH WASHER	3	3	3	3	3	YMUS
16	GD0-U7249-00-05	SHIM (T=0.5)	1	1	1	1	1	UR, YMUS
	GD0-U7249-00-10	SHIM (T=1.0)	1	1	1	1	1	UR, YMUS
17	FOX-U883E-00	JOINT, PIPE	1	1	1	1	1	YMUS
18	90149-069UA	SCREW	2	2	2	2	2	YMUS
19	FOX-U883B-01	PIPE, 1	1	1	1	1	1	YMUS
20	90601-152U3	BAND, HOSE 52	2	2	2	2	2	YMUS



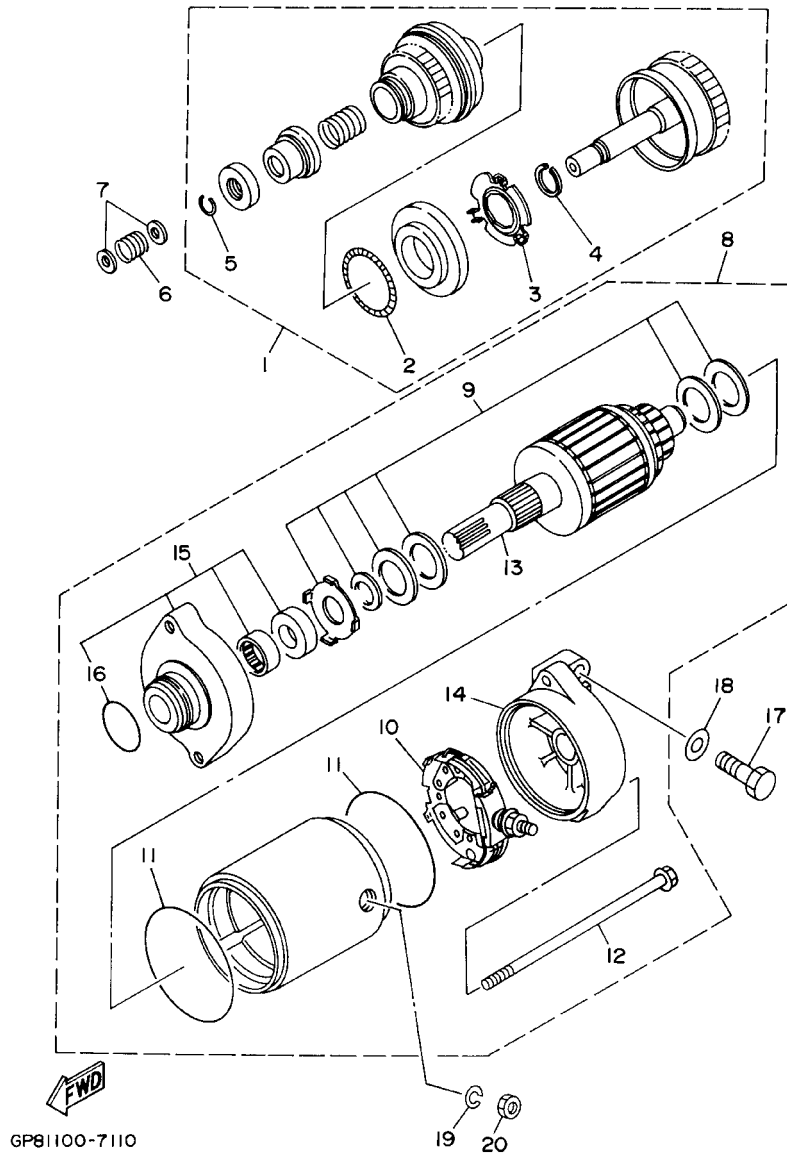
FIG. 13 GENERATOR



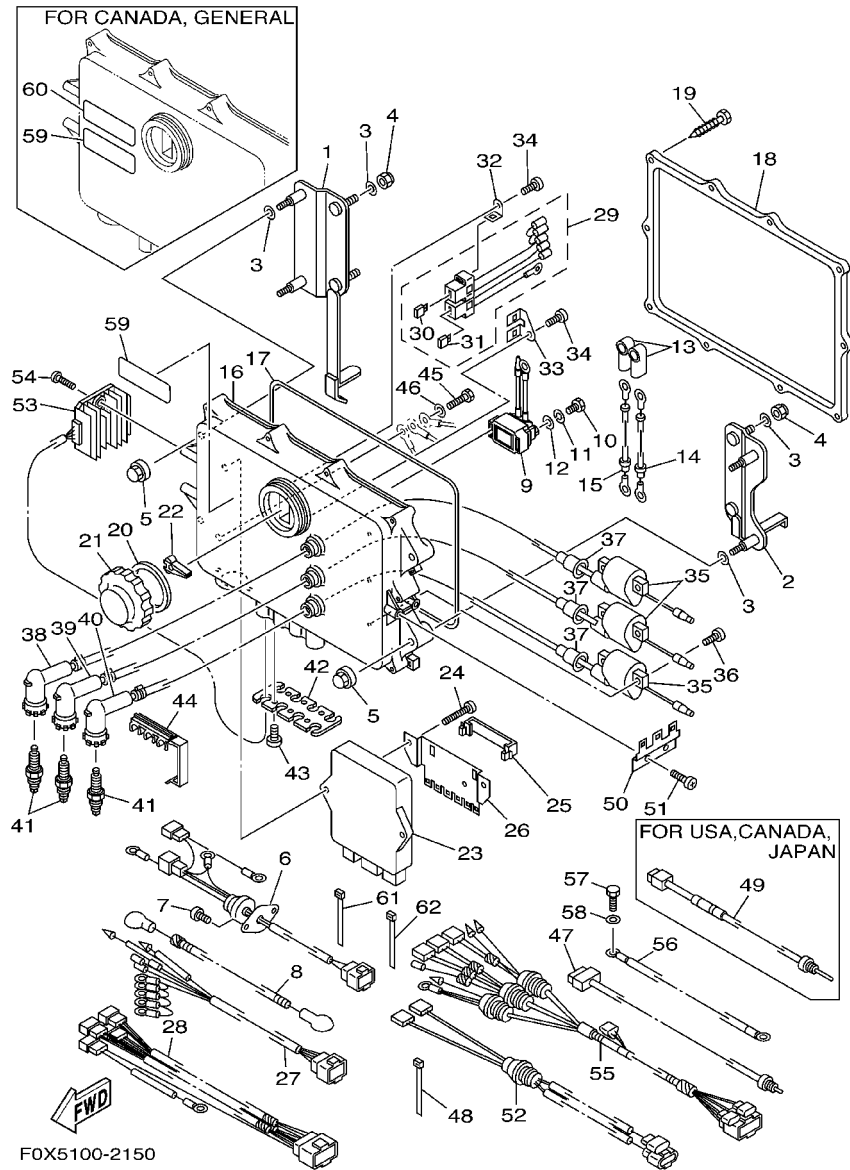
F0D5110-0130

REF. NO.	PART NO.	DESCRIPTION	U49	CAL	CAN	GENE	JPN	REMARKS
1	90465-11M10	CLAMP	1	1	1	1	1	
2	66V-85550-00	ROTOR ASSY	1	1	1	1	1	
3	66V-85510-00	STATOR ASSY	1	1	1	1	1	
4	90280-05013	KEY, WOODRUFF	1	1	1	1	1	
5	90109-10M72	BOLT	1	1	1	1	1	
6	68N-81337-00-8P	COVER, FLYWHEEL	1	1	1	1	1	
7	90380-12M29	.BUSH, SOLID	1	1	1	1	1	
8	93608-16M16	PIN, DOWEL	2	2	2	2	2	
9	97013-10055	BOLT	7	7	7	7	7	
10	92903-10600	WASHER, PLATE	7	7	7	7	7	
11	97513-10545	BOLT, WITH WASHER	1	1	1	1	1	
12	66V-81168-10	O-RING	1	1	1	1	1	
13	91317-06030	BOLT	3	3	3	3	3	
14	97513-05514	BOLT, WITH WASHER	2	2	2	2	2	
15	90201-06068	WASHER, PLATE	1	1	1	1	1	
16	91318-06014	BOLT	3	3	3	3	3	
17	66V-81328-00	CLAMP	1	1	1	1	1	

FIG. 14 STARTING MOTOR



REF. NO.	PART NO.	DESCRIPTION	U49	CAL	CAN	GENE	JPN	REMARKS
1	6M6-8183E-01	IDLE GEAR COMP.	1	1	1	1	1	
2	6M6-81866-00	.WEIGHT SPRING	1	1	1	1	1	
3	6M6-81865-00	.WEIGHT HOLDER	1	1	1	1	1	
4	93440-25M08	.CIRCLIP	1	1	1	1	1	
5	93450-18M06	.CIRCLIP	1	1	1	1	1	
6	90501-14M73	SPRING, COMPRESSION	1	1	1	1	1	
7	92903-06600	WASHER, PLATE	2	2	2	2	2	
8	63M-81800-00	STARTING MOTOR ASSY	1	1	1	1	1	
9	3AJ-81809-00	.WASHER KIT	1	1	1	1	1	
10	6M6-81840-10	.BRUSH HOLDER ASSY	1	1	1	1	1	
11	11H-81844-00	.GASKET	2	2	2	2	2	
12	6M6-81826-00	.BOLT	2	2	2	2	2	
13	6M6-81850-00	.ARMATURE ASSY	1	1	1	1	1	
14	63M-81830-00	.REAR BRACKET ASSY	1	1	1	1	1	
15	6M6-81830-00	.FRONT BRACKET ASSY	1	1	1	1	1	
16	1FK-81847-00	.O-RING	1	1	1	1	1	
17	97013-08025	BOLT	2	2	2	2	2	
18	92903-08600	WASHER, PLATE	2	2	2	2	2	
19	92990-06100	WASHER, SPRING	1	1	1	1	1	
20	95380-06700	NUT	1	1	1	1	1	



FOX5100-2150

FIG. 15 ELECTRICAL 1

REF. NO.	PART NO.	DESCRIPTION	U49	CAL	CAN	GENE	JPN	REMARKS
1	F0X-6815D-00	BRACKET, ELECTRIC BOX	1	1	1	1	1	
2	F0X-6815E-00	BRACKET, ELECTRIC BOX 2	1	1	1	1	1	
3	9299R-08200	WASHER	8	8	8	8	8	YMUS
4	9572R-08300	NUT, FLANGE	4	4	4	4	4	YMUS
5	90179-08978	NUT	4	4	4	4	4	
6	66V-81315-00	LEAD WIRE ASSY	1	1	1	1	1	
7	97780-60425	SCREW, TAPPING	2	2	2	2	2	
8	67X-82117-00	WIRE, LEAD	1	1	1	1	1	
9	68N-81940-00	STARTER RELAY ASSY	1	1	1	1	1	
10	97095-06010	BOLT	2	2	2	2	2	
11	92995-06100	WASHER, SPRING	2	2	2	2	2	
12	92995-06600	WASHER	2	2	2	2	2	
13	66V-82119-00	COVER, LEAD WIRE	2	2	2	2	2	
14	67X-82117-10	WIRE, LEAD	1	1	1	1	1	
15	67X-82117-20	WIRE, LEAD	1	1	1	1	1	
16	66V-8552A-00	HOUSING	1	1	1	1	1	
17	66V-81921-00	GASKET, TERMINAL	1	1	1	1	1	
18	66V-8552E-00	COVER, CASE	1	1	1	1	1	
19	97780-60430	SCREW, TAPPING	10	10	10	10	10	
20	66V-81844-00	GASKET	1	1	1	1	1	
21	66V-8132W-00	CAP	1	1	1	1	1	
22	67F-2812A-00	PULLER, FUSE	1	1	1	1	1	
23	66V-85540-00	C.D.I. UNIT ASSY	1	1	1		1	FOR USA,CAN,JPN
	67B-85540-00	C.D.I. UNIT ASSY				1		FOR GENE
24	97780-60530	SCREW, TAPPING	2	2	2	2	2	
25	66V-83919-00	CLAMP, HARNESS	1	1	1	1	1	
26	66V-83955-00	BRACKET 1	1	1	1	1	1	

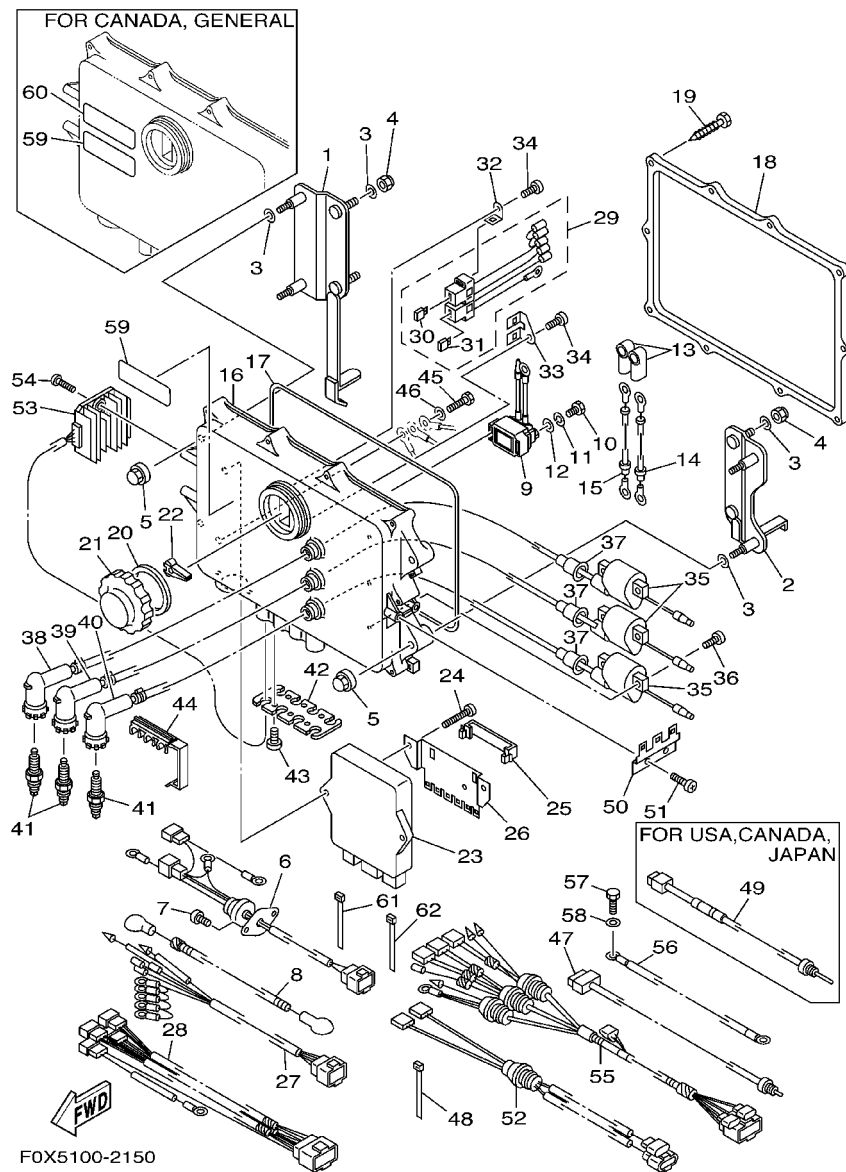


FIG. 15 ELECTRICAL 1

REF. NO.	PART NO.	DESCRIPTION	U49	CAL	CAN	GENE	JPN	REMARKS
27	66V-85515-00	LEAD WIRE ASSY	1	1	1	1	1	
28	66V-83553-00	WIRE, LEAD	1	1	1		1	FOR USA,CAN,JPN
	67B-83553-00	WIRE, LEAD				1		FOR GENE
29	66V-82150-00	FUSE HOLDER ASSY	1	1	1	1	1	
30	67F-82151-00	.FUSE (20A)	1	1	1	1	1	
31	66V-82151-00	.FUSE (10A-BL)	1	1	1	1	1	
32	66V-82171-00	STAY, FUSE BOX	1	1	1	1	1	
33	66V-82153-00	STAY, FUSE HOLDER	1	1	1	1	1	
34	97780-60516	SCREW, TAPPING	2	2	2	2	2	
35	66V-85570-00	IGNITION COIL ASSY	3	3	3	3	3	
36	97780-60525	SCREW, TAPPING	6	6	6	6	6	
37	66V-82355-00	GROMMET	3	3	3	3	3	
38	66V-82340-01	HIGH TENSION CORD ASSY 1	1	1	1	1	1	
39	66V-82340-11	HIGH TENSION CORD ASSY 1	1	1	1	1	1	
40	67X-82340-21	HIGH TENSION CORD ASSY 1	1	1	1	1	1	
41	94702-00396	PLUG, SPARK (NGK BR8ES-11)	3	3	3	3		FOR USA,CAN,GENE
	94709-00396	PLUG, SPARK (NGK BR8ES-11)					3	FOR JPN
42	66V-85525-00	COVER	1	1	1	1	1	
43	97780-60425	SCREW, TAPPING	6	6	6	6	6	
44	65U-81317-10	CLAMP, CORD	2	2	2	2	2	
45	97095-06012	BOLT	3	3	3	3	3	
46	92995-06600	WASHER	3	3	3	3	3	
47	66V-85790-10	THERMOSENSOR ASSY	1	1	1	1	1	
48	90465-11M10	CLAMP	1	1	1	1	1	
49	66V-85881-00	SENSOR, EXT, TEMP.	1	1	1		1	FOR USA,CAN,JPN
50	66V-85542-00	BRACKET	1	1	1	1	1	
51	97780-60516	SCREW, TAPPING	2	2	2	2	2	

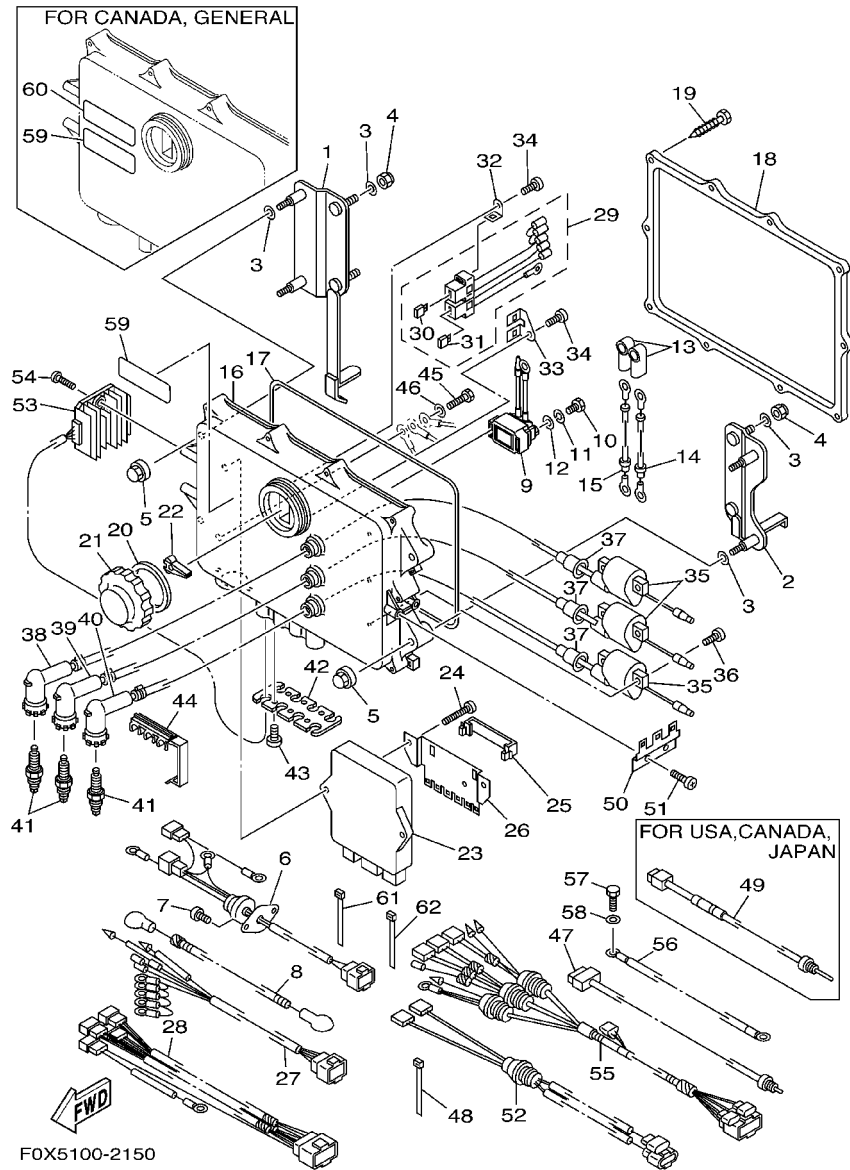
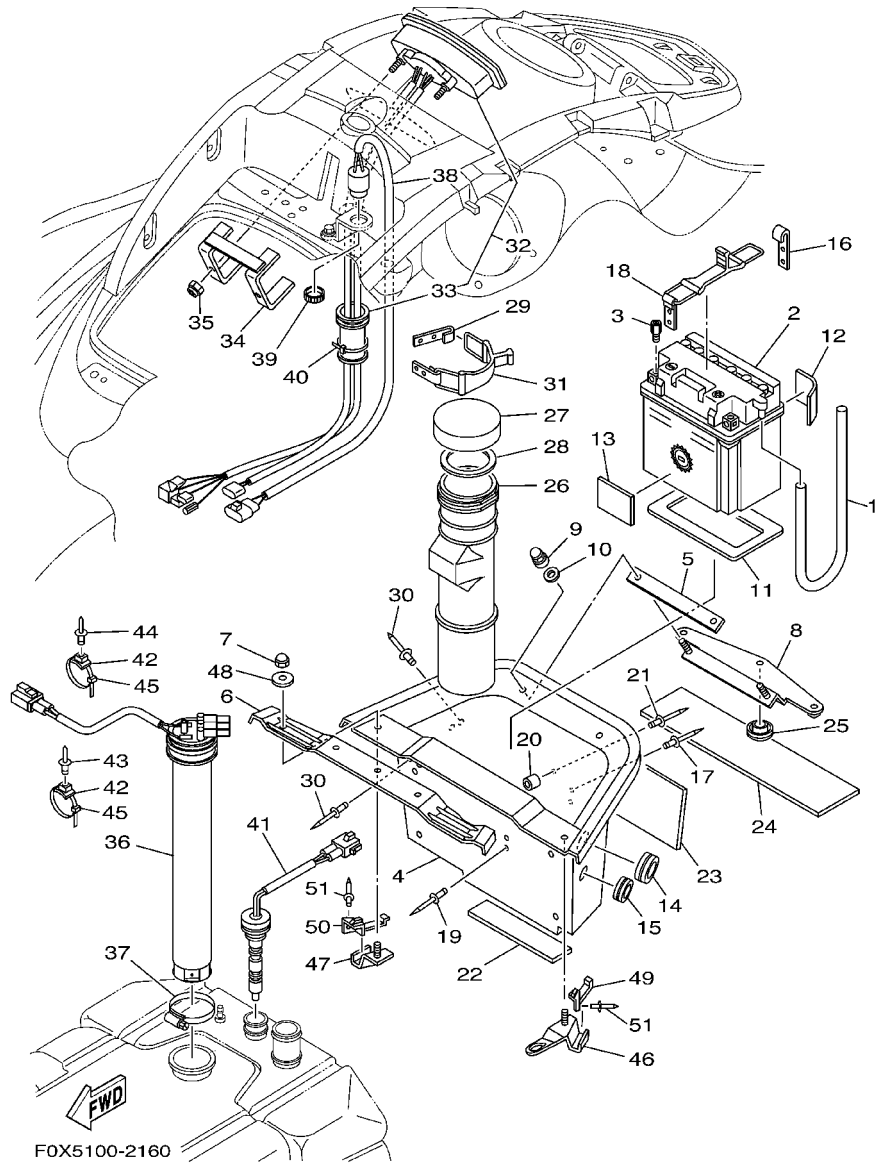


FIG. 15 ELECTRICAL 1

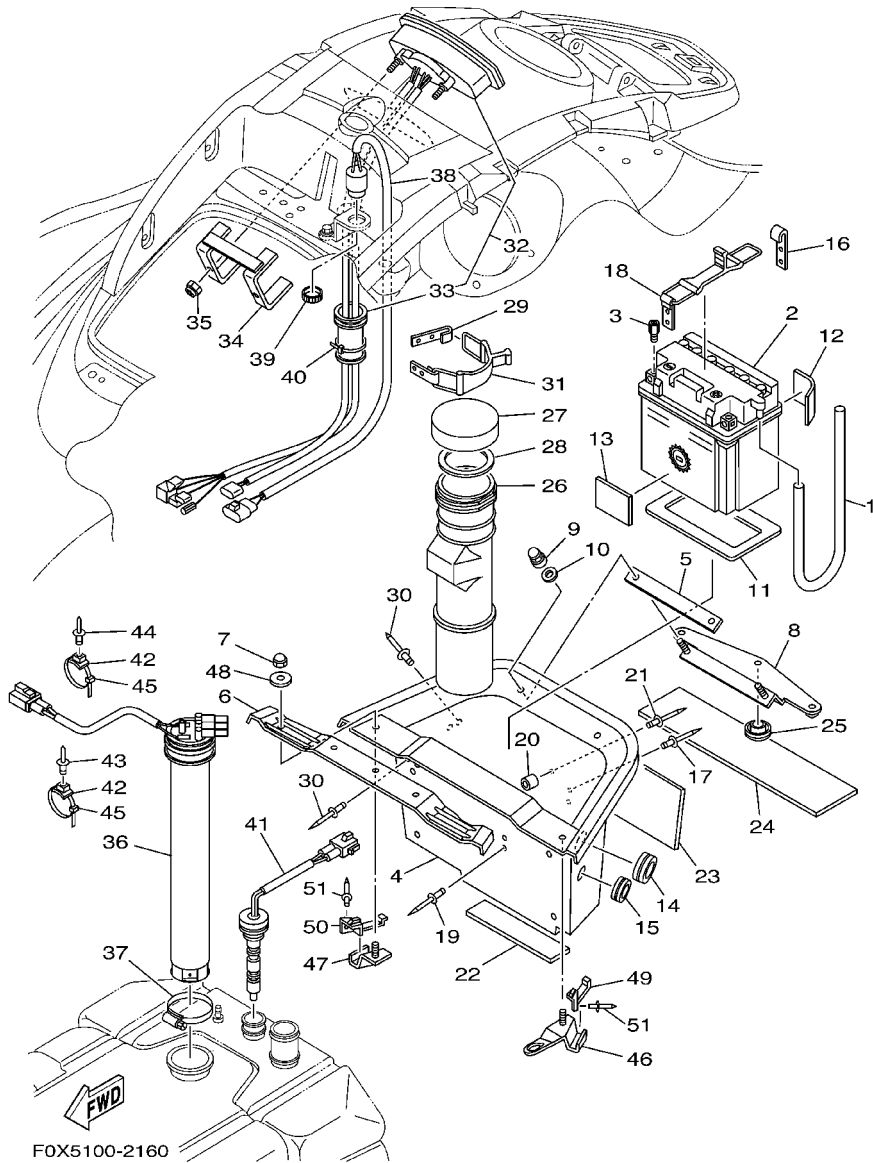
REF. NO.	PART NO.	DESCRIPTION	U49	CAL	CAN	GENE	JPN	REMARKS
52	66V-82509-00	WIRE, SUB LEAD	1	1	1		1	FOR USA,CAN,JPN
	67B-82509-00	WIRE, SUB LEAD				1		FOR GENE
53	66V-81960-00	RECTIFIER & REGULATOR ASSY	1	1	1	1	1	
54	97780-60425	SCREW, TAPPING	2	2	2	2	2	
55	67X-82553-10	EXTENSION, WIRE LEAD	1	1	1	1	1	
56	66V-82127-00	WIRE, LEAD 2	1	1	1	1	1	
57	97013-06016	BOLT	1	1	1	1	1	
58	92903-06600	WASHER, PLATE	1	1	1	1	1	
59	63N-83623-00	MARK 3					1	FOR JPN
	6R7-83623-40	MARK 3	1	1	1	1		FOR USA,CAN,JPN
60	6R7-83623-50	MARK 3			1	1		FOR CAN,GENE
61	90465-13M36	CLAMP	1	1	1	1	1	
62	90465-11M52	CLAMP	2	2	2	2	2	

FIG. 16 ELECTRICAL 2



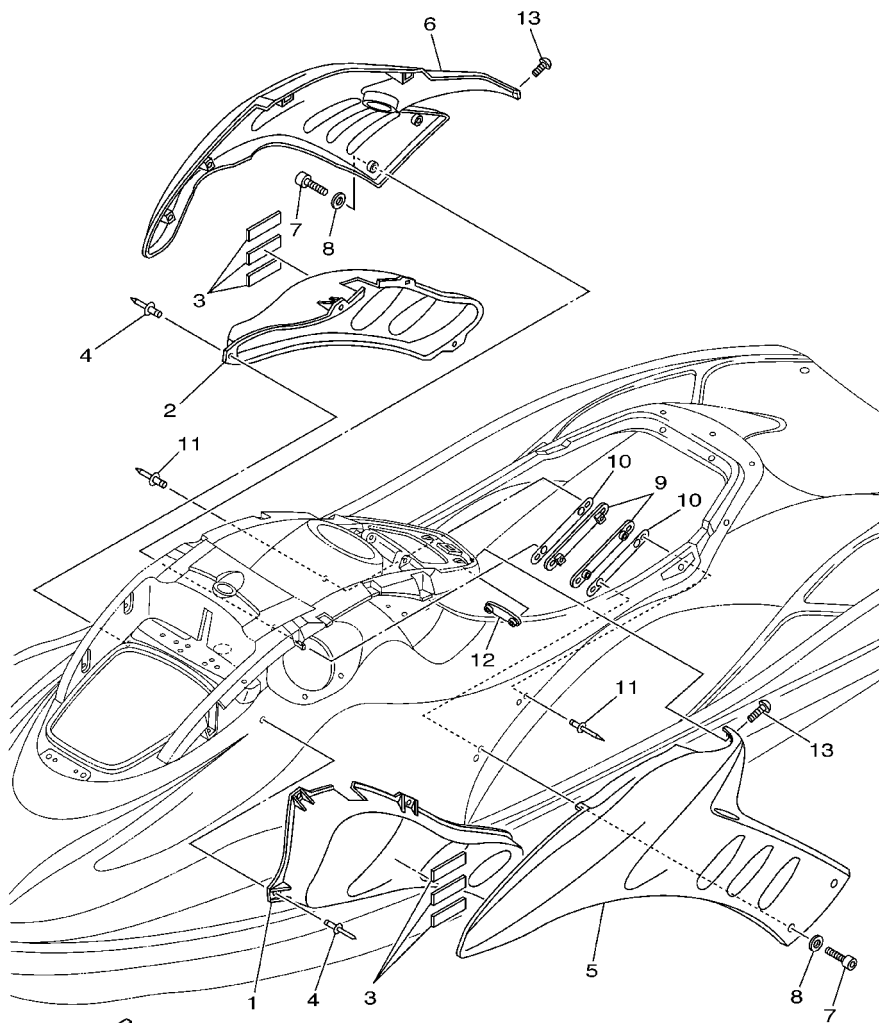
REF. NO.	PART NO.	DESCRIPTION	U49	CAL	CAN	GENE	JPN	REMARKS
1	EU0-U7856-40	HOSE, AIR VENT 3	1	1	1	1	1	YMUS
2	EU0-82110-09	BATTERY ASSY	1	1	1	1	1	
3	F0W-68239-01	NUT	1	1	1	1	1	
4	F0X-U8211-10	CASE, BATTERY	1	1	1	1	1	YMUS
5	F0X-U266D-00	PACKING 5	1	1	1	1	1	YMUS
6	F0X-68952-00	BEAM, DECK 1	1	1	1	1	1	
7	90176-06005	NUT, CROWN	2	2	2	2	2	
8	F0X-6821H-00	BRKT., BASE BATTERY	1	1	1	1	1	
9	90179-08978	NUT	2	2	2	2	2	
10	9299R-08200	WASHER	2	2	2	2	2	YMUS
11	F0X-U8221-00	PAD, BATTERY	1	1	1	1	1	YMUS
12	F0W-U822D-00	PAD, BATTERY 3	1	1	1	1	1	YMUS
13	F0W-U822C-00	PAD, BATTERY 2	1	1	1	1	1	YMUS
14	90480-279U1	GROMMET	1	1	1	1	1	YMUS
15	90480-38800	GROMMET	1	1	1	1	1	YMUS
16	GA7-65772-00	HOOK A	1	1	1	1	1	
17	90267-489U9	RIVET, BLIND	2	2	2	2	2	YMUS
18	GJ1-66607-00	HOOK COMP	1	1	1	1	1	
19	90267-489U9	RIVET, BLIND	2	2	2	2	2	YMUS
20	GK5-63768-00	CUSHION,RUBBER	2	2	2	2	2	
21	90267-489U1	RIVET,BLIND	2	2	2	2	2	YMUS
22	F0X-6352C-00	TRIM, MAT	1	1	1	1	1	
23	GP8-67593-00	MAT	1	1	1	1	1	
24	F0X-6351B-00	MAT,LOWER	1	1	1	1	1	
25	F0X-65568-00	CAP	1	1	1	1	1	
26	F0X-U5983-00	BOX, FIRE EXTINGUISHER	1	1	1	1	1	YMUS
27	EW2-U5912-01	CAP, CASE	1	1	1	1	1	YMUS

FIG. 16 ELECTRICAL 2



REF. NO.	PART NO.	DESCRIPTION	U49	CAL	CAN	GENE	JPN	REMARKS
28	EW2-U5913-01	PACKING, CASE	1	1	1	1	1	YMUS
29	GA7-65772-00	HOOK A	1	1	1	1	1	
30	90267-489U9	RIVET, BLIND	4	4	4	4	4	YMUS
31	GJ1-66607-00	HOOK COMP	1	1	1	1	1	
32	F0X-6820A-01	METER ASSY	1	1				FOR USA
	F0X-6820A-11	METER ASSY			1	1		FOR CAN,GENE
	F0X-6820A-21	METER ASSY					1	FOR JPN
33	GU2-6822E-01	.GROMMET	1	1	1	1	1	
34	GP7-68238-10	BRACKET, METER	1	1	1	1	1	
35	9572R-05300	NUT, FLANGE	2	2	2	2	2	YMUS
36	F0V-U824B-00	SENDER, FUEL	1	1	1	1	1	YMUS
37	90601-162U5	BAND, HOSE 62	1	1	1	1	1	YMUS
38	F0D-U8341-00	BUZZER	1	1	1	1	1	YMUS
39	F0X-U8239-00	NUT	1	1	1	1	1	YMUS
40	90464-32801	CLAMP	1	1	1	1	1	YMUS
41	F0D-U824C-00	SENDER, OIL	1	1	1	1	1	YMUS
42	90600-917U4	CLAMP COMP.	7	7	7	7	7	YMUS
43	90267-489U6	RIVET, BLIND	2	2	2	2	2	YMUS
44	90267-48802	RIVET, BLIND	5	5	5	5	5	YMUS
45	90464-32801	CLAMP	7	7	7	7	7	YMUS
46	F0X-65938-01	STAY 1	1	1	1	1	1	
47	F0X-65939-01	STAY 2	1	1	1	1	1	
48	90201-06014	WASHER, PLATE	2	2	2	2	2	
49	F0X-63225-00	PACKING, SEAL 2	1	1	1	1	1	
50	F0X-63226-00	PACKING,SEAL	1	1	1	1	1	
51	90267-489U6	RIVET, BLIND	2	2	2	2	2	YMUS

FIG. 17 ENGINE HATCH 1

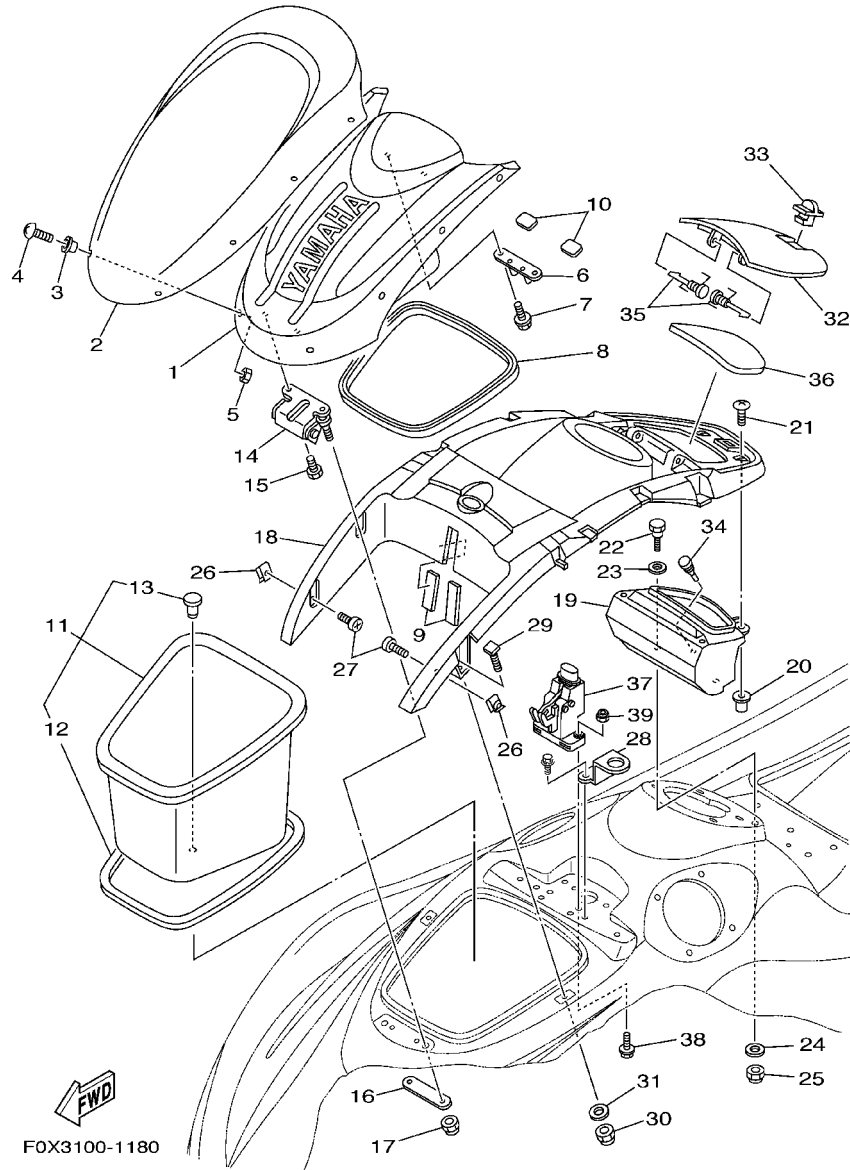


FOX1100-0170

REF. NO.	PART NO.	DESCRIPTION	U49	CAL	CAN	GENE	JPN	REMARKS
1	F0X-62187-00	BOX, INDUCATION 1	1	1	1	1	1	
2	F0X-62188-00	BOX, INDUCATION 2	1	1	1	1	1	
3	F0X-6351C-00	MAT, SIDE 1	6	6	6	6	6	
4	90267-48806	RIVET, BLIND	8	8	8	8	8	YMUS
5	F0X-U377B-10-P0	COVER, SIDE 1	1	1	1	1	1	DPBMF, YMUS
6	F0X-U377C-10-P0	COVER, SIDE 2	1	1	1	1	1	DPBMF, YMUS
7	90110-06008	BOLT, HEXAGON SOCKET HEAD	4	4	4	4	4	
8	9299R-06200	WASHER	4	4	4	4	4	YMUS
9	F0X-6377M-00	BRKT., COVER SIDE 1	2	2	2	2	2	
10	F0X-U3635-01	TAPE, FITTING	2	2	2	2	2	YMUS
11	90267-48806	RIVET, BLIND	4	4	4	4	4	YMUS
12	F0X-6377P-00	BRKT., COVER SIDE 3	1	1	1	1	1	
13	90111-05001	BOLT	2	2	2	2	2	



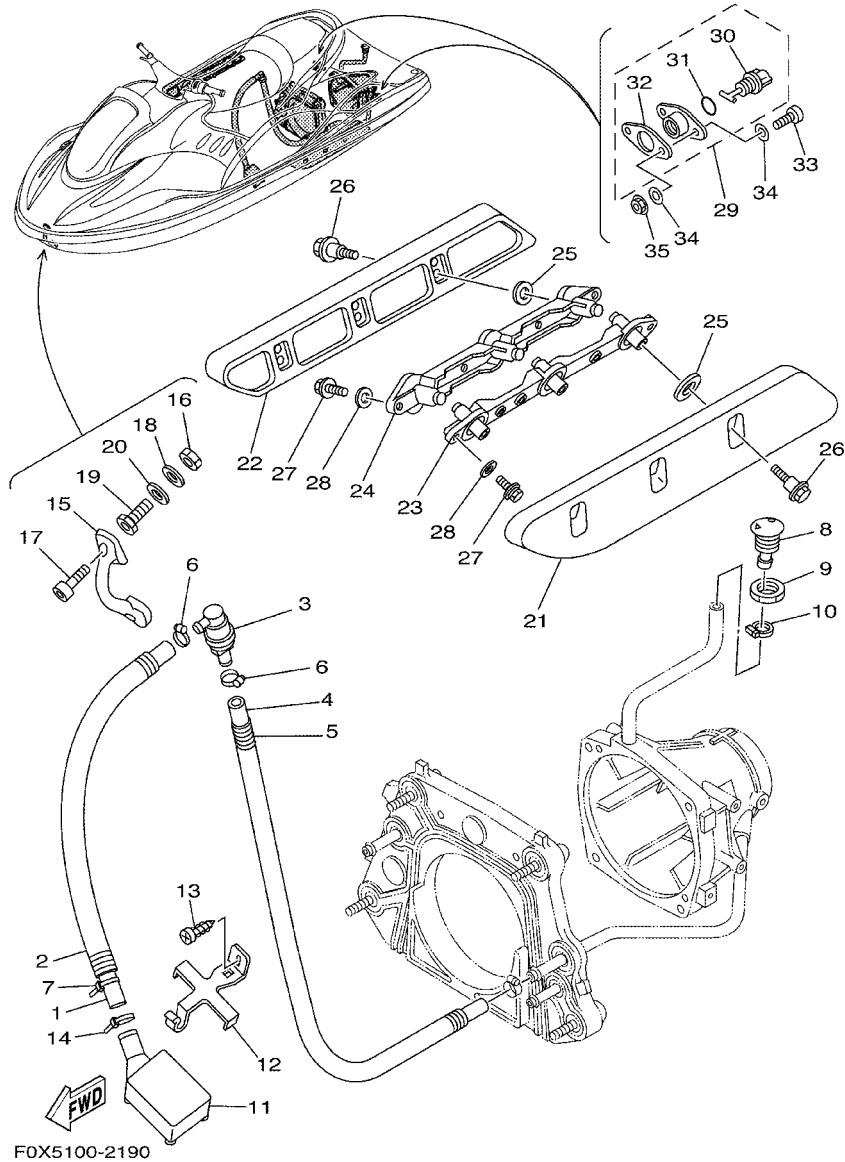
FIG. 18 ENGINE HATCH 2



REF. NO.	PART NO.	DESCRIPTION	U49	CAL	CAN	GENE	JPN	REMARKS
1	F0X-U517B-00	LID, ENGINE ROOM	1	1	1	1	1	YMUS
2	F0X-U515N-00	VISOR	1	1	1	1	1	YMUS
3	90381-05041	BUSH, SOLID	8	8	8	8	8	
4	90111-05001	BOLT	8	8	8	8	8	
5	90179-05800	NUT	8	8	8	8	8	YMUS
6	F0X-6517F-00	HOOK, LID LOCK	1	1	1	1	1	
7	90119-069UJ	BOLT, WITH WASHER	2	2	2	2	2	YMUS
8	F0X-U266B-00	PACKING 3	1	1	1	1	1	YMUS
9	F0X-U515D-00	DAMPER 1	2	2	2	2	2	YMUS
10	F0X-U515E-00	DAMPER 2	2	2	2	2	2	YMUS
11	F0X-U475A-00	BOWLOCKER ASSY	1	1	1	1	1	YMUS
12	F0X-U266E-01	.PACKING,6	1	1	1	1	1	YMUS
13	90605-502U1	.PLUG, BLIND	1	1	1	1	1	YMUS
14	F0X-6517D-00	HINGE, LID	1	1	1	1	1	
15	90101-06026	BOLT	2	2	2	2	2	
16	F0X-6518E-00	PRATE, HINGE LID	1	1	1	1	1	
17	9572R-08300	NUT, FLANGE	2	2	2	2	2	YMUS
18	F0X-U5554-00	COVER, CENTER	1	1	1	1	1	YMUS
19	F0X-U516P-00	BOX GLOVE	1	1	1	1	1	YMUS
20	90179-05801	NUT	4	4	4	4	4	YMUS
21	90111-05001	BOLT	4	4	4	4	4	
22	90109-08902	BOLT	2	2	2	2	2	
23	90202-10922	WASHER, PLATE	2	2	2	2	2	
24	9299R-08200	WASHER	2	2	2	2	2	YMUS
25	9572R-08300	NUT, FLANGE	2	2	2	2	2	YMUS
26	90183-06902	NUT, SPRING	4	4	4	4	4	
27	90111-06018	BOLT	4	4	4	4	4	



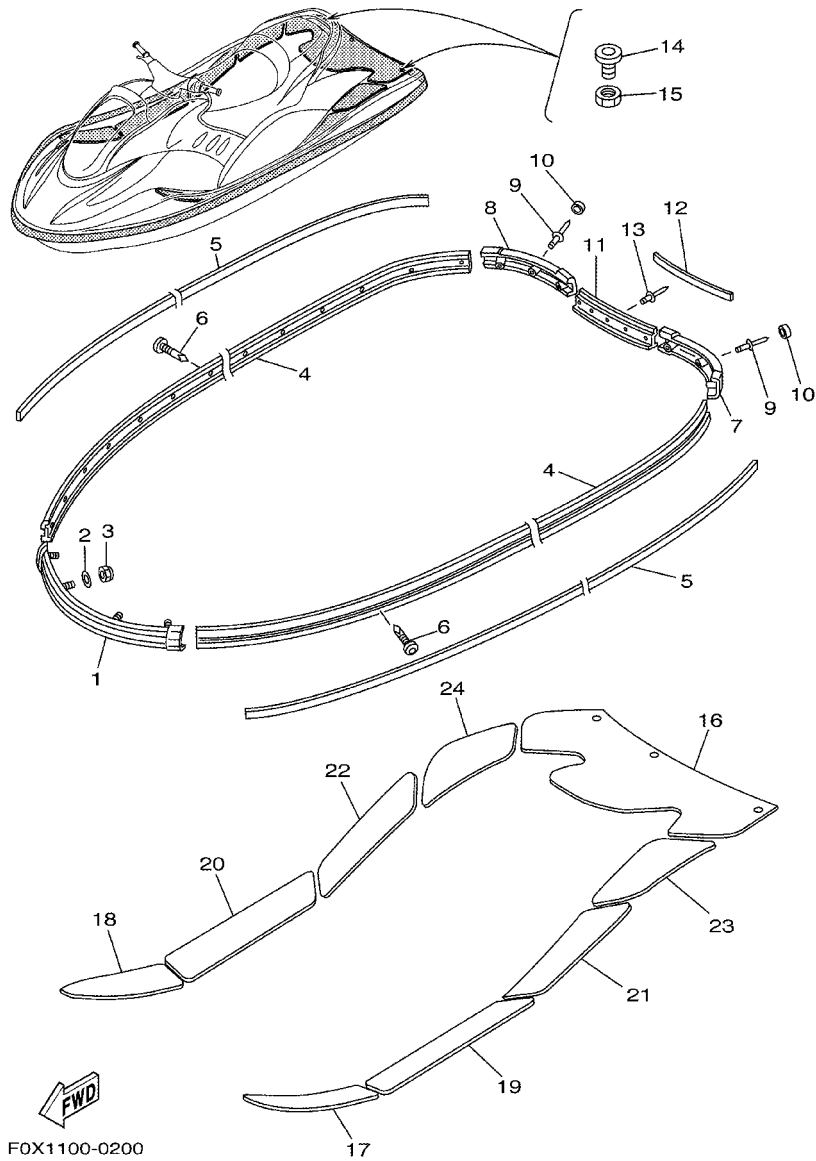
FIG. 19 HULL DECK



REF. NO.	PART NO.	DESCRIPTION	U49	CAL	CAN	GENE	JPN	REMARKS
1	90445-198C0	HOSE (L1000)	1	1	1	1	1	YMUS
2	90446-27M95	HOSE	1	1	1	1	1	
3	68N-5112T-00	JOINT, HOSE	1	1	1	1	1	
4	90445-198B9	HOSE (L650)	1	1	1	1	1	YMUS
5	90446-27MF2	HOSE	1	1	1	1	1	
6	90601-118UF	BAND, HOSE 18	2	2	2	2	2	YMUS
7	90601-200U1	BAND	1	1	1	1	1	YMUS
8	FN8-6269B-00	SPOUT	1	1	1	1	1	
9	EU0-61652-00	NUT	1	1	1	1	1	
10	90601-118UF	BAND, HOSE 18	1	1	1	1	1	YMUS
11	GD0-U761D-00	STRAINER, BILGE	1	1	1	1	1	YMUS
12	EW2-67618-00	BASE, STRAINER BLIGE	1	1	1	1	1	
13	9778R-50112	SCREW, TAPPING	1	1	1	1	1	YMUS
14	90601-200U1	BAND	1	1	1	1	1	YMUS
15	F0X-61624-00	BOWEYE 1 (S)	1	1	1	1	1	
16	F0X-61652-00	NUT	2	2	2	2	2	
17	90110-06040	BOLT, HEXAGON SOCKET HEAD	2	2	2	2	2	
18	F0X-61637-00	WASHER	2	2	2	2	2	
19	99780-12600	NUT.HEX.(COARS)	2	2	2	2	2	
20	92990-12200	WASHER, PLAIN	2	2	2	2	2	
21	F0X-U883N-00	STABILIZER LH	1	1	1	1	1	BL, YMUS
22	F0X-U883P-00	STABILIZER RH	1	1	1	1	1	BL, YMUS
23	F0X-6883T-00	BRACKET,STABILIZER	1	1	1	1	1	
24	F0X-6883V-00	BRACKET, STABILIZER 2	1	1	1	1	1	
25	F0X-6883U-01	PACKING,STABILIZER	6	6	6	6	6	
26	F0X-62624-00	BOLT	6	6	6	6	6	
27	90119-069UH	BOLT, WITH WASHER	8	8	8	8	8	YMUS

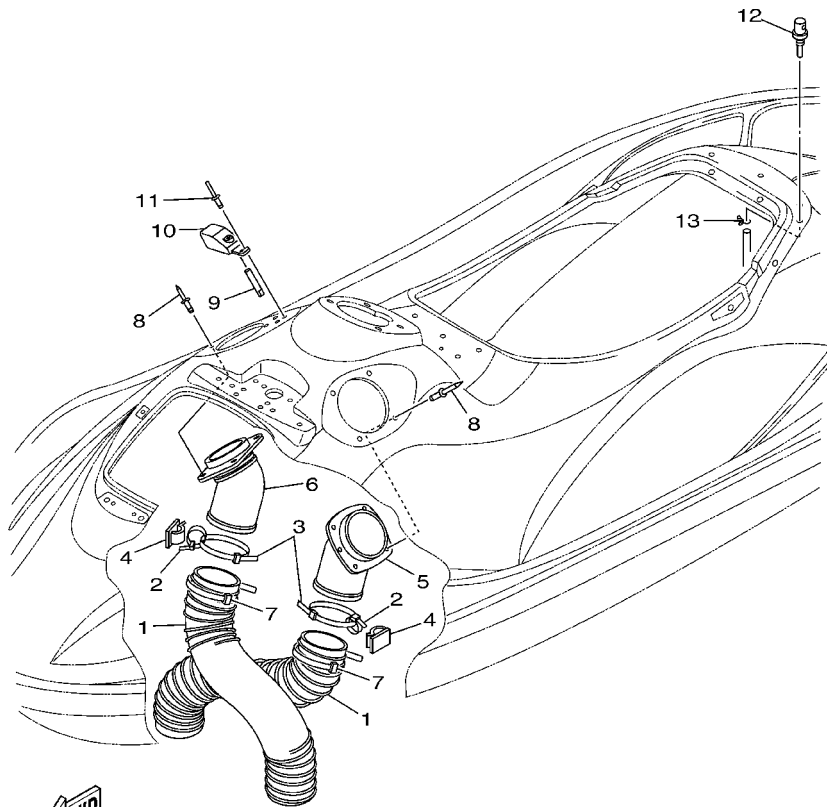


FIG. 20 GUNWALE. MAT



REF. NO.	PART NO.	DESCRIPTION	U49	CAL	CAN	GENE	JPN	REMARKS
1	GP7-U2501-20	BOW GUNWALE COMP.	1	1	1	1	1	YB, YMUS
2	9299R-06200	WASHER	4	4	4	4	4	YMUS
3	9572R-06300	NUT, FLANGE	4	4	4	4	4	YMUS
4	F0X-U2512-00	GUNWALE, SIDE	2	2	2	2	2	YB, YMUS
5	F0X-U2519-00	INNER,GUNWALE	2	2	2	2	2	YB, YMUS
6	90169-059U1	SCREW,TAPPING	24	24	24	24	24	YMUS
7	F0X-U251D-00	GUNWALE, STERN 1	1	1	1	1	1	YB, YMUS
8	F0X-U251E-00	GUNWALE, STERN 2	1	1	1	1	1	YB, YMUS
9	90267-489US	RIVET, BLIND	6	6	6	6	6	YMUS
10	GJ3-U352E-40	MAT, BOW	6	6	6	6	6	DBGS8, YMUS
11	F0X-U252C-00	COVER, GUNWALE 1	1	1	1	1	1	YB, YMUS
12	F0X-U252D-00	COVER, GUNWALE 2	1	1	1	1	1	YB, YMUS
13	90267-489US	RIVET, BLIND	6	6	6	6	6	YMUS
14	FN8-61651-01	ROPE HOLE	2	2	2	2	2	
15	EU0-61652-00	NUT	2	2	2	2	2	
16	F0X-U3581-02	MAT, UPPER	1	1	1	1	1	BL, YMUS
17	F0X-U351H-00	MAT, STEP 1	1	1	1	1	1	BL, YMUS
18	F0X-U351J-00	MAT, STEP 2	1	1	1	1	1	BL, YMUS
19	F0X-U351K-03	MAT, STEP 3	1	1	1	1	1	BL, YMUS
20	F0X-U351M-03	MAT, STEP 4	1	1	1	1	1	BL, YMUS
21	F0X-U351N-00	MAT, STEP 5	1	1	1	1	1	BL, YMUS
22	F0X-U351P-00	MAT, STEP 6	1	1	1	1	1	BL, YMUS
23	F0X-U351R-02	MAT, STEP 7	1	1	1	1	1	BL, YMUS
24	F0X-U351S-02	MAT, STEP 8	1	1	1	1	1	BL, YMUS

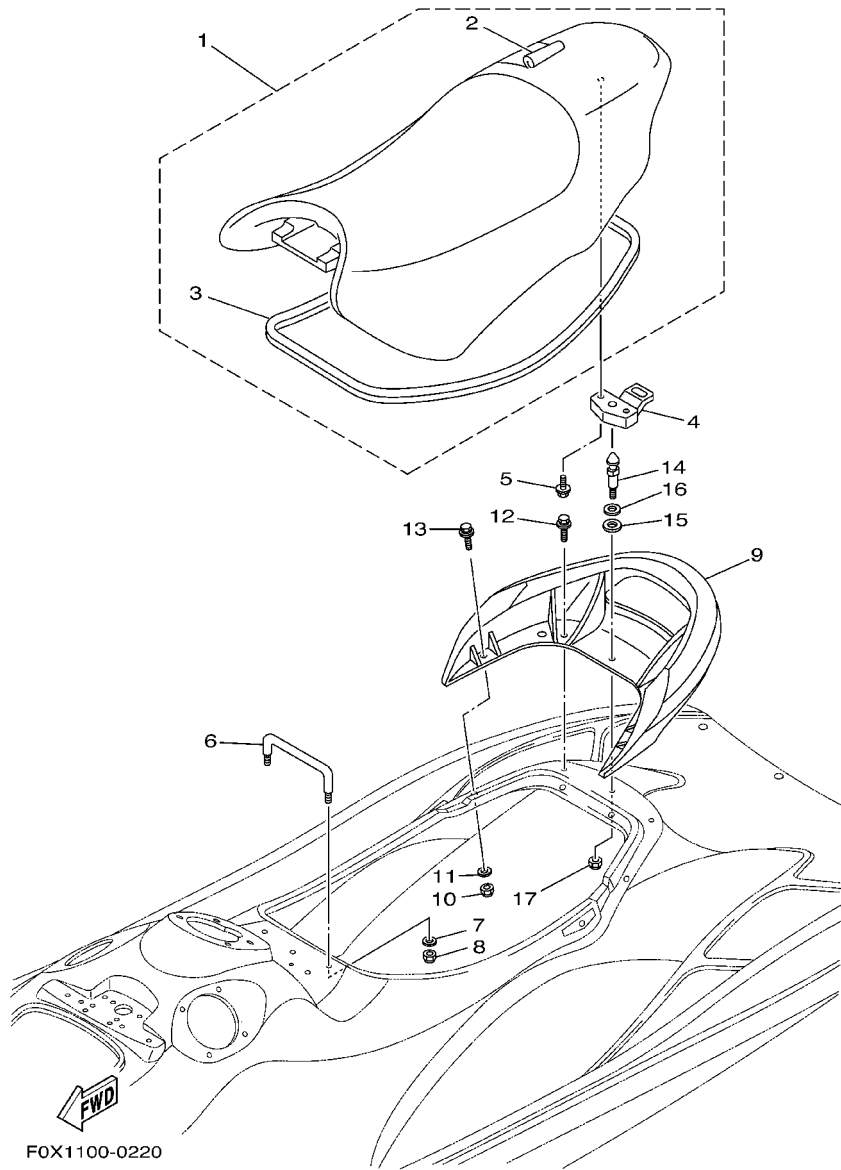
FIG. 21 VENTILATION



FOX3100-1211

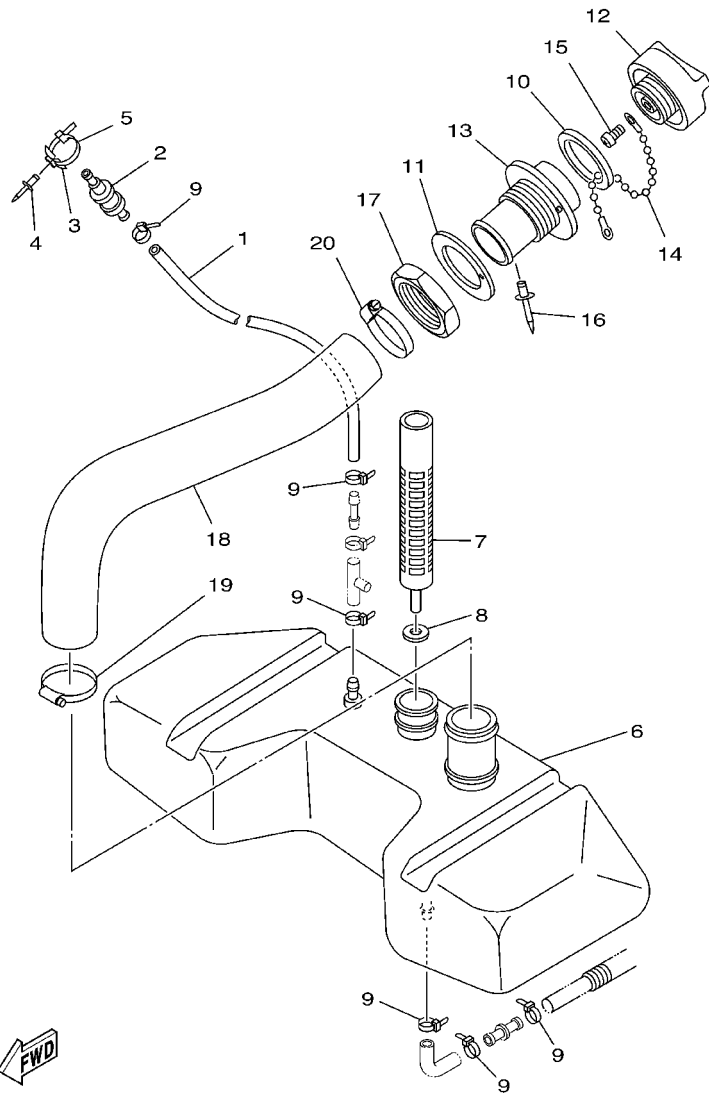
REF. NO.	PART NO.	DESCRIPTION	U49	CAL	CAN	GENE	JPN	REMARKS
1	FOX-U213G-01	HOSE, VENTILATOR 2	2	2	2	2	2	YMUS
2	90601-200U2	BAND	2	2	2	2	2	YMUS
3	90601-200U7	BAND	2	2	2	2	2	YMUS
4	90464-17800	CLAMP	2	2	2	2	2	YMUS
5	FOX-6213D-00	BASE, AIR INTAKE 1	1	1	1	1	1	
6	FOX-6213E-00	BASE, AIR INTAKE 2	1	1	1	1	1	
7	90601-200U7	BAND	2	2	2	2	2	YMUS
8	90267-48806	RIVET, BLIND	8	8	8	8	8	YMUS
9	EW2-62149-00	PIPE, VENTILATION 1	1	1	1	1	1	
10	GP7-62159-01	SOCKET, VENTILATION	1	1	1	1	1	
11	90267-489U6	RIVET, BLIND	2	2	2	2	2	YMUS
12	GJ3-6215F-00	NIPPLE	1	1	1	1	1	
13	90467-089U1	CLIP	1	1	1	1	1	YMUS

FIG. 22 SEAT. UNDER LOCKER



REF. NO.	PART NO.	DESCRIPTION	U49	CAL	CAN	GENE	JPN	REMARKS
1	F0X-U371A-20	DOUBLE SEAT ASSY	1	1	1	1	1	D-W-BLUE, YMUS
2	F0X-U371B-20	.COVER, SEAT 1	1	1	1	1	1	YMUS
3	F0X-U2664-00	.PACKING	1	1	1	1	1	YMUS
4	F0D-63850-01	SEAT LOCK ASSY	1	1	1	1	1	
5	90119-069UP	BOLT, WITH WASHER	2	2	2	2	2	YMUS
6	F0X-6378C-00	STAY, SEAT 1	1	1	1	1	1	
7	90201-099U3	WASHER, PLATE	2	2	2	2	2	YMUS
8	9572R-08300	NUT, FLANGE	2	2	2	2	2	YMUS
9	F0X-U271B-00	GRIP, HAND	1	1	1	1	1	YB, YMUS
10	9572R-08300	NUT, FLANGE	2	2	2	2	2	YMUS
11	9299R-08600	WASHER	2	2	2	2	2	YMUS
12	90119-089U5	BOLT, WITH WASHER	2	2	2	2	2	YMUS
13	90119-08807	BOLT, WITH WASHER	2	2	2	2	2	YMUS
14	F0X-U3774-00	PIN	1	1	1	1	1	YMUS
15	F0X-6375E-00	PACKING 1	1	1	1	1	1	
16	92990-12200	WASHER, PLAIN	1	1	1	1	1	
17	9572R-10300	NUT, FLANGE	1	1	1	1	1	YMUS

FIG. 23 OIL TANK

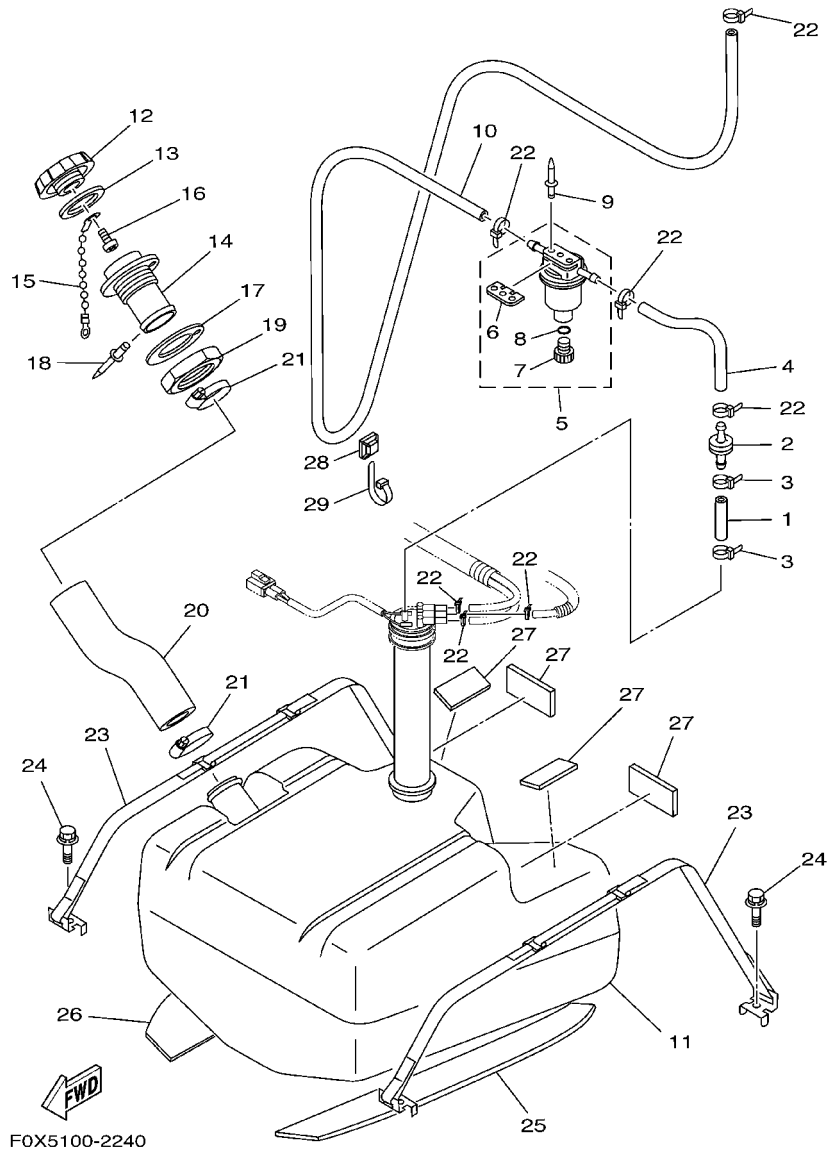


  
 FOX1100-0230

REF. NO.	PART NO.	DESCRIPTION	U49	CAL	CAN	GENE	JPN	REMARKS
1	F0X-U7856-00	HOSE, AIR VENT 3	1	1	1	1	1	YMUS
2	FJ0-67766-00	ROLL OVER VALVE	1	1	1	1	1	
3	90600-91736	CLAMP COMP.	1	1	1	1	1	
4	90267-489U6	RIVET, BLIND	1	1	1	1	1	YMUS
5	90464-32801	CLAMP	1	1	1	1	1	YMUS
6	F0D-U775B-02	TANK, OIL	1	1	1	1	1	YMUS
7	F0D-6775C-01	FILTER	1	1	1	1	1	
8	F0D-6775E-01	PACKING	1	1	1	1	1	
9	90465-11829	CLAMP	6	6	6	6	6	YMUS
10	GJ3-U778C-00	PACKING,OIL CAP	1	1	1	1	1	YMUS
11	F0X-U778E-00	PACKING,OIL FILLER	1	1	1	1	1	YMUS
12	F0X-U778B-00	CAP,OIL FILLER	1	1	1	1	1	YMUS
13	F0X-U778D-00	SOCKET,OIL FILLER	1	1	1	1	1	YMUS
14	EU0-U7835-00	CHAIN BALL	1	1	1	1	1	YMUS
15	97780-04110	SCREW, TAPPING	1	1	1	1	1	
16	90267-40935	RIVET, BLIND	1	1	1	1	1	
17	F0X-U778H-00	NUT, OIL FILLER	1	1	1	1	1	YMUS
18	F0X-U776C-00	HOSE,OIL FILLER	1	1	1	1	1	YMUS
19	90601-152U3	BAND, HOSE 52	1	1	1	1	1	YMUS
20	90464-99803	CLAMP	1	1	1	1	1	YMUS



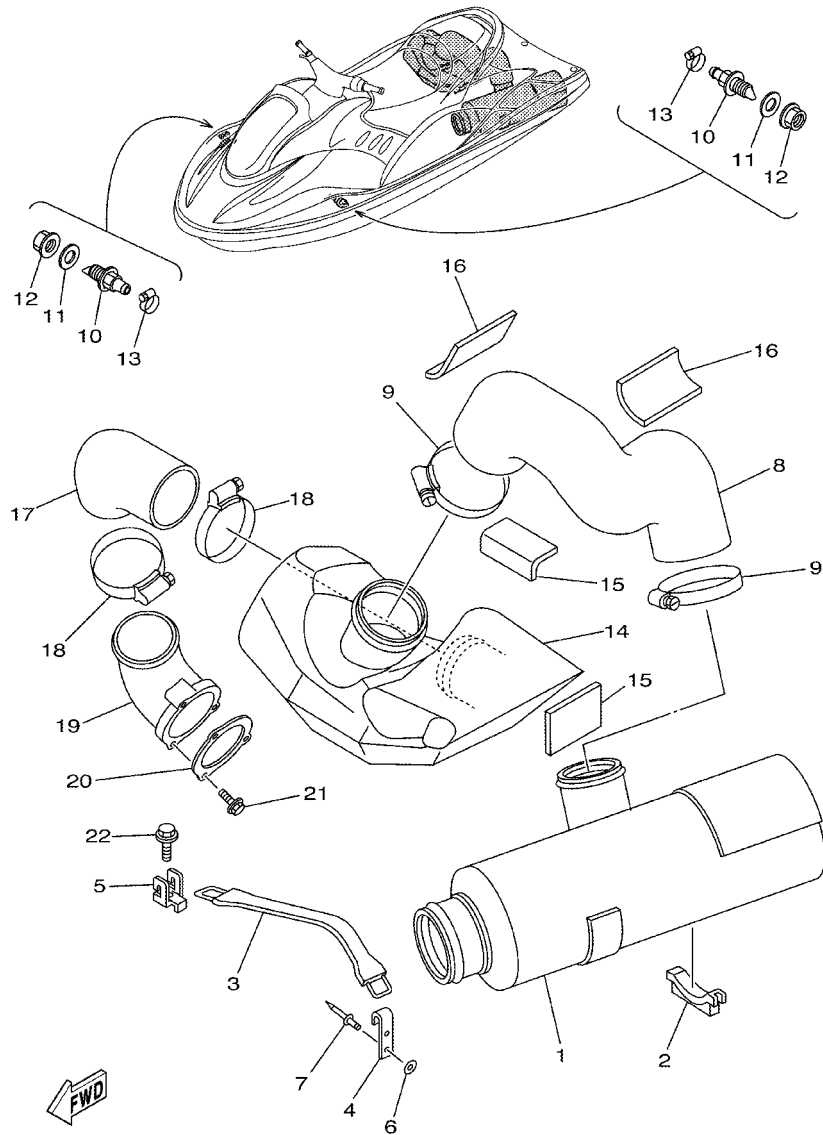
FIG. 24 FUEL TANK



REF. NO.	PART NO.	DESCRIPTION	U49	CAL	CAN	GENE	JPN	REMARKS
1	GP7-U785H-00	HOSE, AIR VENT 3	1	1	1	1	1	YMUS
2	EU0-67767-31	CHECK VALVE	1	1	1	1	1	
3	90465-11829	CLAMP	2	2	2	2	2	YMUS
4	GJ3-U7856-10	HOSE, AIR VENT 3	1	1	1	1	1	YMUS
5	EW2-62140-00	FILTER, VENT ASSY	1	1	1	1	1	
6	EW2-62142-00	.PLATE, FILTER	1	1	1	1	1	
7	70R-24543-00	.PLUG, DRAIN	1	1	1	1	1	
8	70R-24489-00	.O-RING	1	1	1	1	1	
9	90267-489U2	RIVET, BLIND	2	2	2	2	2	YMUS
10	GP7-U785G-00	HOSE, AIR VENT	1	1	1	1	1	YMUS
11	F0X-U7711-00	TANK, FUEL	1	1	1	1	1	YMUS
12	GP7-U7831-01	CAP, FUEL FILLER	1	1	1	1	1	PURW, YMUS
13	GP7-U7832-01	PACKING	1	1	1	1	1	YMUS
14	GP7-U7833-00	SOCKET	1	1	1	1	1	YMUS
15	GP7-U7835-00	CHAIN BALL	1	1	1	1	1	YMUS
16	90169-049U1	TAPPING SCREW	1	1	1	1	1	YMUS
17	GP7-U7834-00	PACKING FUEL FILLER	1	1	1	1	1	YMUS
18	90267-329UR	RIVET, BLIND	1	1	1	1	1	YMUS
19	GP7-U783F-00	NUT, FUEL FILLER	1	1	1	1	1	YMUS
20	F0X-U7844-00	HOSE	1	1	1	1	1	YMUS
21	90601-155U4	BAND, HOSE 55	2	2	2	2	2	YMUS
22	90465-11829	CLAMP	7	7	7	7	7	YMUS
23	F0X-67743-00	BELT, TANK 1	2	2	2	2	2	
24	90119-089U7	BOLT, WITH WASHER	4	4	4	4	4	YMUS
25	F0X-U759B-00	MAT 1	1	1	1	1	1	YMUS
26	F0X-U759C-00	MAT 2	1	1	1	1	1	YMUS
27	GJ1-U759C-00	MAT 2	4	4	4	4	4	YMUS



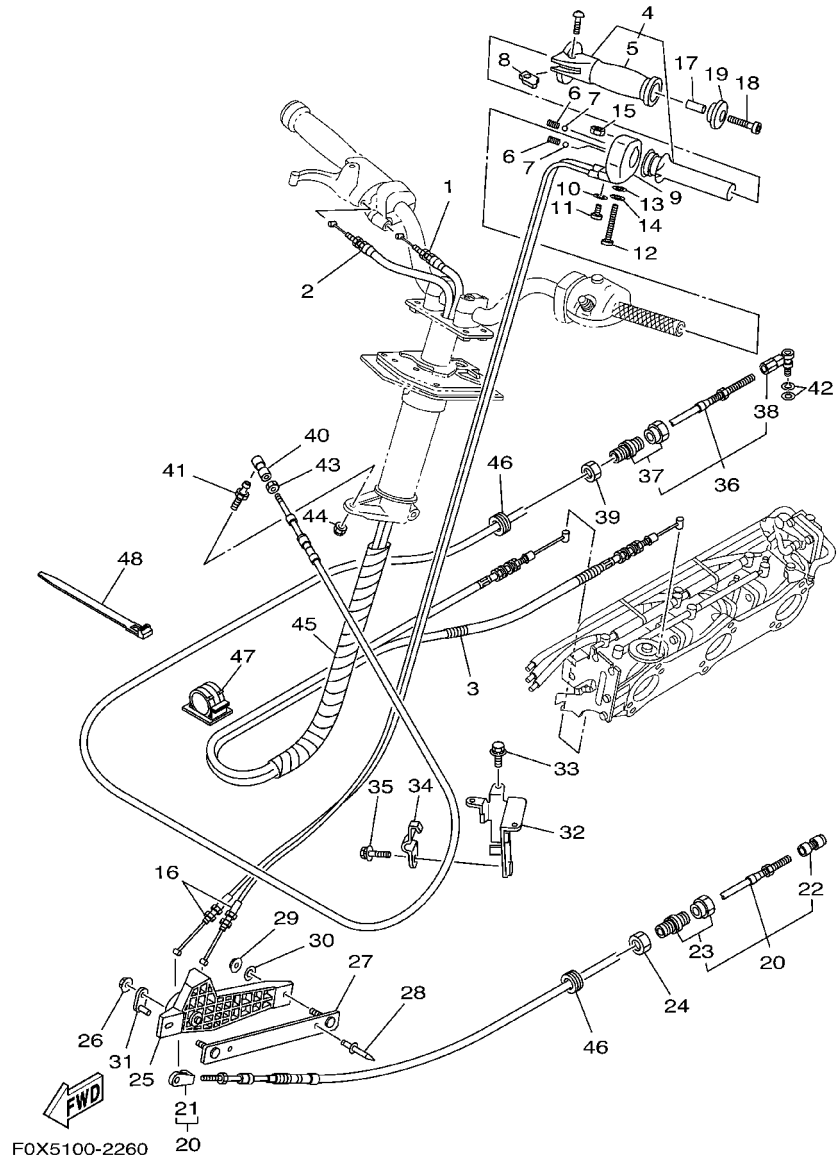
FIG. 25 EXHAUST 3



F0X5100-2250

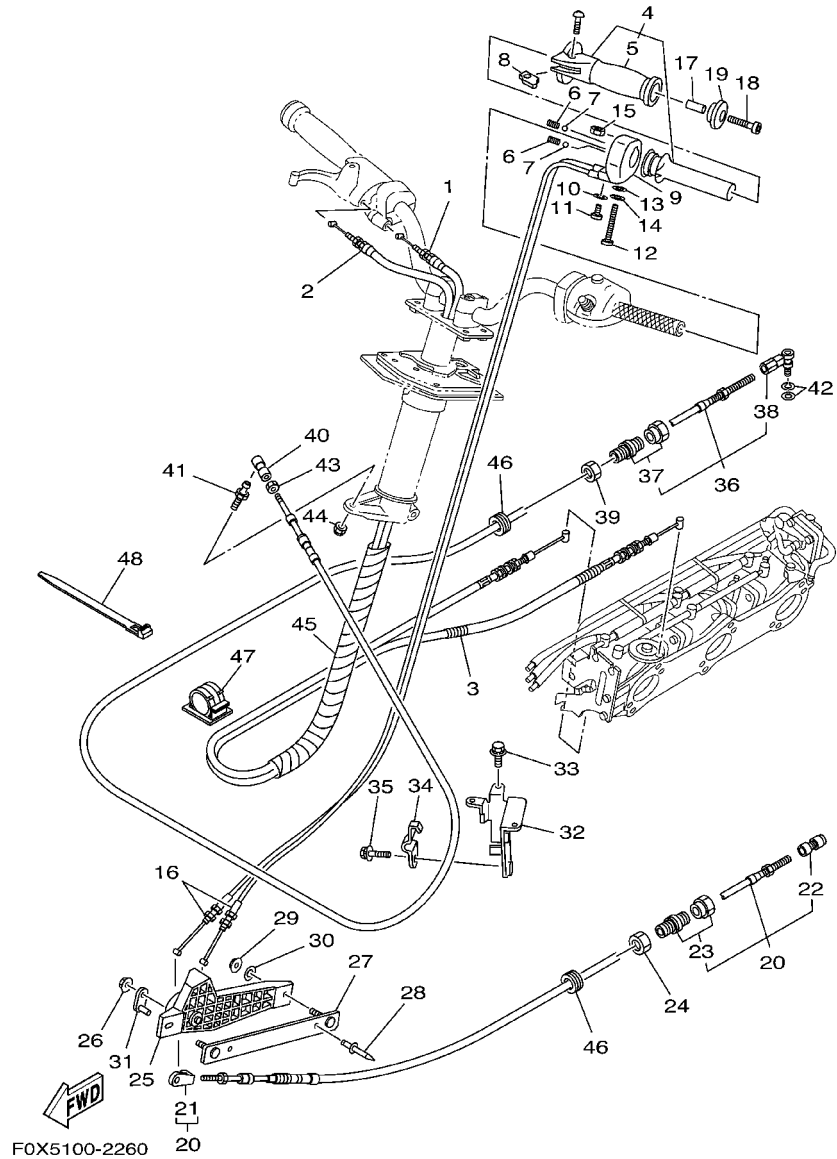
REF. NO.	PART NO.	DESCRIPTION	U49	CAL	CAN	GENE	JPN	REMARKS
1	F0X-67550-02	WATER LOCK COMP.	1	1	1	1	1	
2	F0X-6755J-00	MAT,WATER LOCK	1	1	1	1	1	
3	EU0-U821D-00	BAND,BATTERY 2	1	1	1	1	1	YMUS
4	GA7-65772-00	HOOK A	1	1	1	1	1	
5	EW2-U5772-00	HOOK A	1	1	1	1	1	YMUS
6	9299R-05200	WASHER	2	2	2	2	2	YMUS
7	90267-489U9	RIVET, BLIND	2	2	2	2	2	YMUS
8	F0X-U7555-00	HOSE, EXHAUST	1	1	1	1	1	YMUS
9	90450-99801	HOSE CLAMP ASSY	2	2	2	2	2	YMUS
10	F0X-6753B-00	PILOT, WATER	2	2	2	2	2	
11	90430-16910	GASKET	2	2	2	2	2	
12	F0X-62733-00	NUT	2	2	2	2	2	
13	90601-118UF	BAND, HOSE 18	2	2	2	2	2	YMUS
14	F0X-64261-02	TANK, WATER	1	1	1	1	1	
15	GP8-6755J-00	MAT,WATER LOCK	2	2	2	2	2	
16	GU0-67593-00	MAT	2	2	2	2	2	
17	F0X-U758C-00	HOSE,EXHAUST2	1	1	1	1	1	YMUS
18	90601-195UD	BAND, HOSE 95	2	2	2	2	2	YMUS
19	F0D-67565-01	THRU-HULL,EXHAUST	1	1	1	1	1	
20	F0D-U7525-01	PACKING	1	1	1	1	1	YMUS
21	90119-069UK	BOLT, WITH WASHER	3	3	3	3	3	YMUS
22	90119-069UH	BOLT, WITH WASHER	1	1	1	1	1	YMUS

FIG. 26 CONTROL CABLE



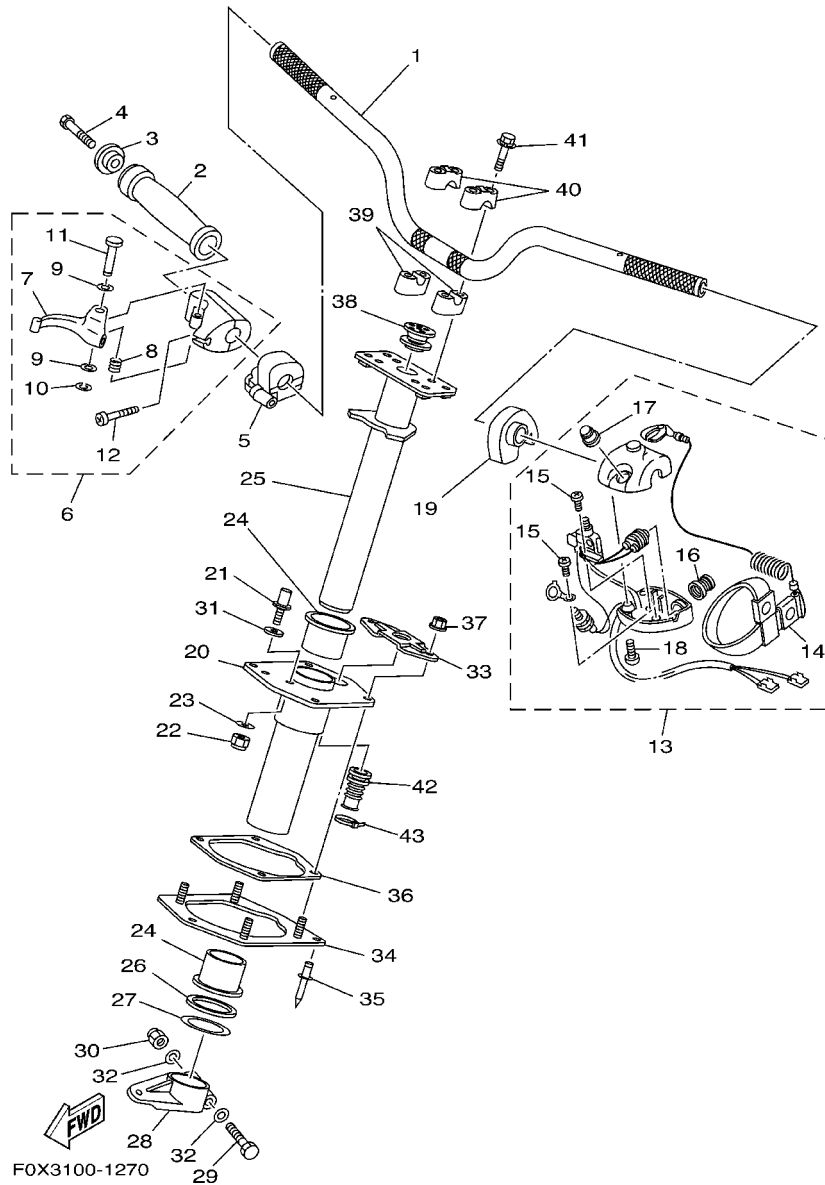
REF. NO.	PART NO.	DESCRIPTION	U49	CAL	CAN	GENE	JPN	REMARKS
1	67X-67242-00	CABLE, CHOKE	1	1	1	1	1	
2	66V-67252-00	CABLE, THROTTLE	1	1	1	1	1	
3	90446-10ME3	HOSE	1	1	1	1	1	
4	GP7-U157A-00	GRIP HANDLE ASSY.	1	1	1	1	1	YMUS
5	GP7-U155C-00	.GRIP,HANDLE	1	1	1	1	1	YMUS
6	GP7-U152P-00	SPRING	2	2	2	2	2	YMUS
7	GP7-U152R-00	BALL	2	2	2	2	2	YMUS
8	GP7-U151M-00	LEVER ASSY	1	1	1	1	1	YMUS
9	GP7-U152M-00	HOUSING ASSY	1	1	1	1	1	YMUS
10	92990-04600	WASHER, PLATE	1	1	1	1	1	
11	98980-04010	SCREW, BIND	1	1	1	1	1	
12	97880-06065	SCREW, PAN HEAD	1	1	1	1	1	
13	92990-06600	WASHER, PLATE	1	1	1	1	1	
14	9299R-06100	WASHER	1	1	1	1	1	YMUS
15	GH1-U143B-00	NUT,SPECIAL	1	1	1	1	1	YMUS
16	F0D-U153D-01	CABLE,NOZZLE CONTROL 2	2	2	2	2	2	YMUS
17	90387-05800	COLLAR	1	1	1	1	1	YMUS
18	90110-05908	BOLT, HEXAGON SOCKET HEAD	1	1	1	1	1	
19	GP7-U155F-00	GRIP, END	1	1	1	1	1	YMUS
20	F0X-U153E-01	CABLE,NOZZLE CONTROL 3	1	1	1	1	1	YMUS
21	GH1-U046C-00	.END,CABLE	1	1	1	1	1	YMUS
22	EU0-U1461-30	.SHAFT, JOINT BALL	1	1	1	1	1	YMUS
23	EU0-67267-10	.CONNECTOR, CABLE	1	1	1	1	1	
24	EU0-62241-30	NUT, DRAIN 1	1	1	1	1	1	
25	F0D-U153J-00	REMOCON,NOZZLE 2	1	1	1	1	1	YMUS
26	9572R-06300	NUT, FLANGE	1	1	1	1	1	YMUS
27	F0X-U4958-00	BASE, REMOCON.	1	1	1	1	1	YMUS

FIG. 26 CONTROL CABLE



REF. NO.	PART NO.	DESCRIPTION	U49	CAL	CAN	GENE	JPN	REMARKS
28	90267-489U6	RIVET, BLIND	2	2	2	2	2	YMUS
29	9572R-06300	NUT, FLANGE	2	2	2	2	2	YMUS
30	9299R-06200	WASHER	2	2	2	2	2	YMUS
31	F0D-U152C-00	PIN	1	1	1	1	1	YMUS
32	F0X-61467-00	BRACKET, STOPPER CABLE	1	1	1	1	1	
33	90119-06827	BOLT, WITH WASHER	3	3	3	3	3	YMUS
34	F0X-61468-00	STOPPER, CABLE	1	1	1	1	1	
35	90119-069UH	BOLT, WITH WASHER	1	1	1	1	1	YMUS
36	F0X-U1481-00	CABLE, STEERING	1	1	1	1	1	YMUS
37	GK5-67267-10	.CONNECTOR, CABLE	1	1	1	1	1	
38	GP8-U1461-T0	.STUD, JOINT BALL	1	1	1	1	1	YMUS
39	EU0-62241-30	NUT, DRAIN 1	1	1	1	1	1	
40	GK5-U146F-00	SHAFT, JOINT BALL	1	1	1	1	1	YMUS
41	EU0-U1461-02	STUD, JOINT BALL	1	1	1	1	1	YMUS
42	90201-06906	WASHER, PLATE	2	2	2	2	2	
43	9538R-06700	NUT	1	1	1	1	1	YMUS
44	9572R-06300	NUT, FLANGE	1	1	1	1	1	YMUS
45	90448-25800	HOSE, WITH UNION	1	1	1	1	1	YMUS
46	90480-279U1	GROMMET	2	2	2	2	2	YMUS
47	90600-925U9	CLAMP	1	1	1	1	1	YMUS
48	90601-200U2	BAND	1	1	1	1	1	YMUS

FIG. 27 STEERING 1



REF. NO.	PART NO.	DESCRIPTION	U49	CAL	CAN	GENE	JPN	REMARKS
1	F0X-61552-00	HANDLE	1	1	1	1	1	
2	GP7-U155D-00	GRIP, HANDLE	1	1	1	1	1	YMUS
3	GP7-U155F-00	GRIP, END	1	1	1	1	1	YMUS
4	90110-05908	BOLT, HEXAGON SOCKET HEAD	1	1	1	1	1	
5	F0X-6724A-00	CHOKE LEVER ASSY	1	1	1	1	1	
6	F0D-67250-03	THROTTLE LEVER ASSY	1	1	1	1	1	
7	F0D-67255-01	.LEVER, THROTTLE	1	1	1	1	1	
8	EW2-67256-00	.SPRING	1	1	1	1	1	
9	EW2-67258-01	.WASHER	2	2	2	2	2	
10	EW2-67259-01	.E-RING	1	1	1	1	1	
11	F0D-67257-00	.SHAFT	1	1	1	1	1	
12	98500-05025	.SCREW, PAN HEAD	2	2	2	2	2	
13	F0X-68310-01	SWITCH BOX ASSY	1	1	1	1	1	
14	EW2-68348-00	.LANYARD, STOP SWITCH	1	1	1	1	1	
15	97880-03008	.SCREW, PAN HEAD	2	2	2	2	2	
16	FK7-68312-02	.STOP BUTTON COMP	1	1	1	1	1	
17	FK7-68313-02	.START BUTTON COMP.	1	1	1	1	1	
18	97880-05025	.SCREW, PAN HEAD	2	2	2	2	2	
19	F0X-6143G-00	SPACER	1	1	1	1	1	
20	F0X-6152M-00	HOUSING ASSY	1	1	1	1	1	
21	FN8-6131B-00	PIN, STOPPER	1	1	1	1	1	
22	95720-10300	NUT	1	1	1	1	1	
23	92990-10600	WASHER, PLATE	1	1	1	1	1	
24	F0X-6141B-00	BEARING, COLUMN	2	2	2	2	2	
25	F0X-61541-00	COLUMN, STEERING	1	1	1	1	1	
26	F0X-6153P-00	WASHER	1	1	1	1	1	
27	F0X-6153P-10	WASHER	1	1	1	1	1	

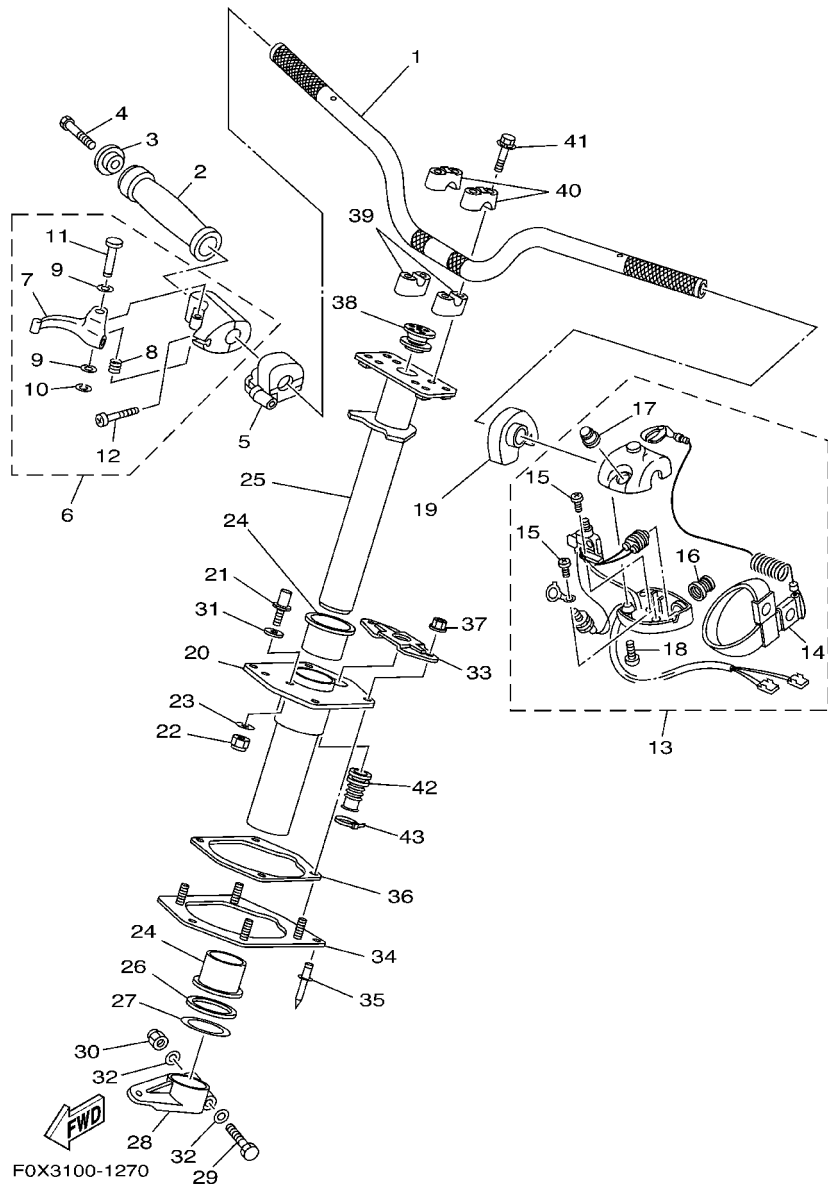
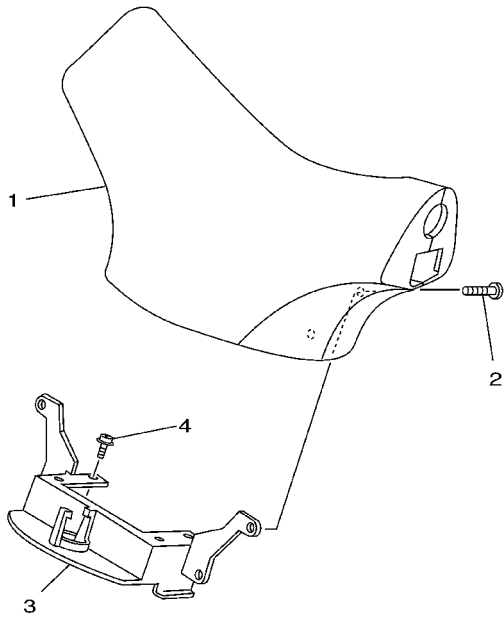


FIG. 27 STEERING 1

REF. NO.	PART NO.	DESCRIPTION	U49	CAL	CAN	GENE	JPN	REMARKS
28	F0X-6151B-00	ARM, STEERING	1	1	1	1	1	
29	90101-08003	BOLT	1	1	1	1	1	
30	90185-08002	NUT, SELF-LOCKING	1	1	1	1	1	
31	90201-10017	WASHER, PLATE	1	1	1	1	1	
32	92990-08600	WASHER, PLATE	2	2	2	2	2	
33	F0X-61596-00	PLATE	1	1	1	1	1	
34	F0X-6133B-00	PLATE, BRACKET	1	1	1	1	1	
35	90267-489U6	RIVET, BLIND	2	2	2	2	2	YMUS
36	F0X-6143C-00	SEAL, RUBBER	1	1	1	1	1	
37	9572R-08300	NUT, FLANGE	4	4	4	4	4	YMUS
38	F0X-61469-00	PACKING, STEERING COLUMN	1	1	1	1	1	
39	EU0-23814-01	HOLDER, HANDLE LOWER	2	2	2	2	2	
40	EU0-23814-30	HOLDER, HANDLE UPPER	2	2	2	2	2	
41	90119-089UM	BOLT, WITH WASHER	4	4	4	4	4	YMUS
42	F0D-6822E-00	GROMMET	1	1	1	1	1	
43	90464-32801	CLAMP	1	1	1	1	1	YMUS

FIG. 28 STEERING 2

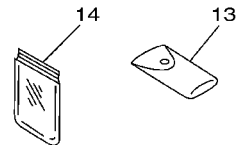
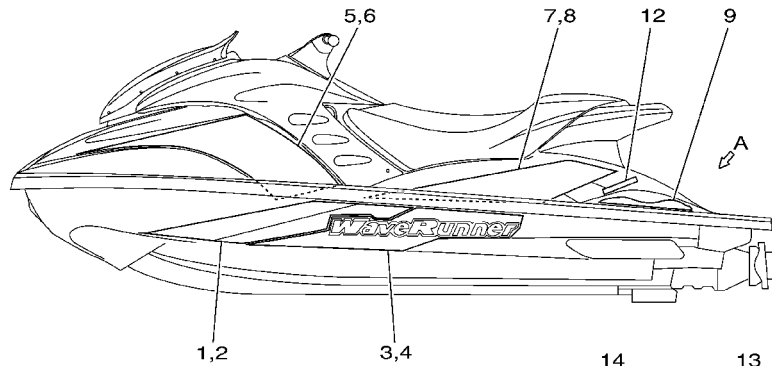
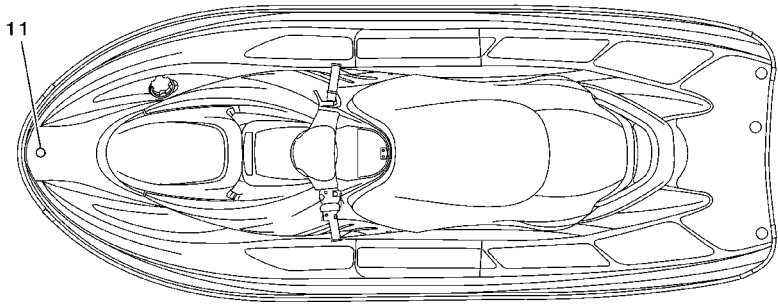
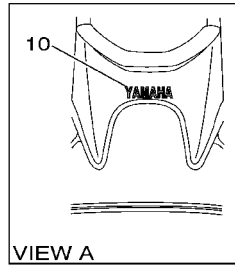


GP71100-7250

REF. NO.	PART NO.	DESCRIPTION	U49	CAL	CAN	GENE	JPN	REMARKS
1	GP7-U142A-11	STEERING PAD COMP	1	1	1	1	1	YB, YMUS
2	90149-069U9	SCREW	4	4	4	4	4	YMUS
3	GP7-U142K-00	FIX, STEERING PAD	1	1	1	1	1	YMUS
4	90159-069U1	SCREW, WITH WASHER	4	4	4	4	4	YMUS
-----								
-----								
-----								
-----								
-----								
-----								
-----								
-----								
-----								
-----								



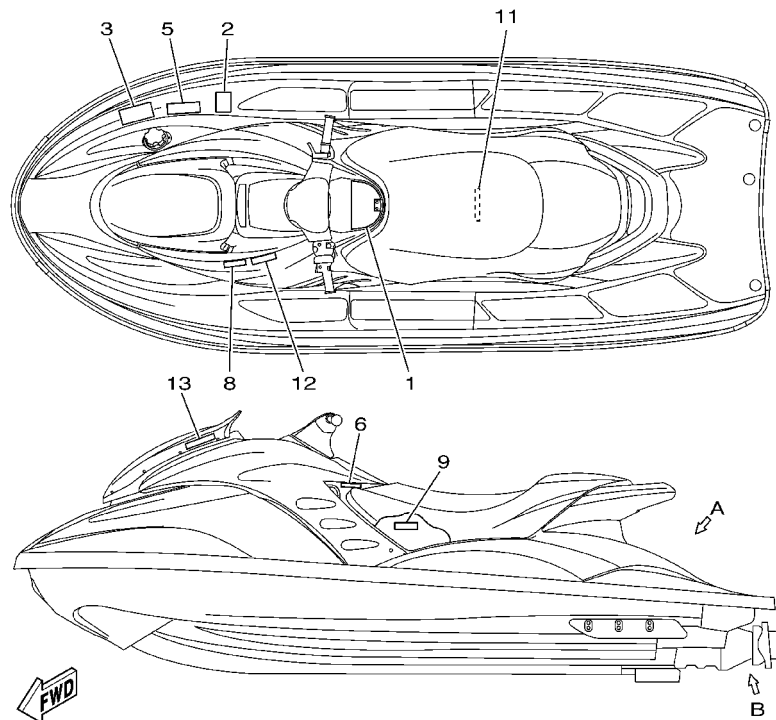
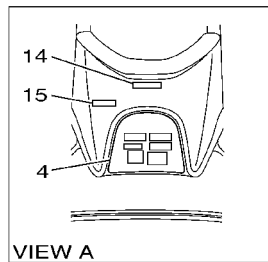
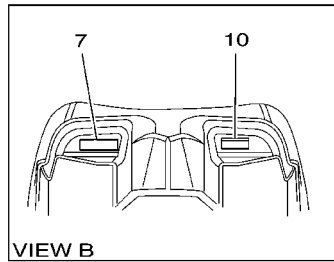
FIG. 29 GRAPHICS



F0X5100-2290

REF. NO.	PART NO.	DESCRIPTION	U49	CAL	CAN	GENE	JPN	REMARKS
1	F0X-U417B-20	GRAPHIC 1	1	1	1	1	1	LH, YMUS
2	F0X-U417C-20	GRAPHIC 2	1	1	1	1	1	RH, YMUS
3	F0X-U417D-20	GRAPHIC 3	1	1	1	1	1	LH, YMUS
4	F0X-U417E-20	GRAPHIC 4	1	1	1	1	1	RH, YMUS
5	F0X-U417F-20	GRAPHIC 5	1	1	1	1	1	LH, YMUS
6	F0X-U417G-20	GRAPHIC 6	1	1	1	1	1	RH, YMUS
7	F0X-U417H-20	GRAPHIC 7	1	1	1	1	1	LH, YMUS
8	F0X-U417J-20	GRAPHIC 8	1	1	1	1	1	RH, YMUS
9	F0X-U417L-00	GRAPHIC B	2	2	2	2	2	YMUS
10	GJ3-U4114-52	MARK, YAMAHA A	1	1	1	1	1	YMUS
11	GU2-U411H-00	EMBLEM, TUNING FORK	1	1	1	1	1	YMUS
12	F0X-U4125-00	EMBLEM					2	FOR JPN, YMUS
13	EU0-65986-00	TOOL SET	1	1	1	1	1	
14	EU0-65901-01	TOOL BAG	1	1	1	1	1	

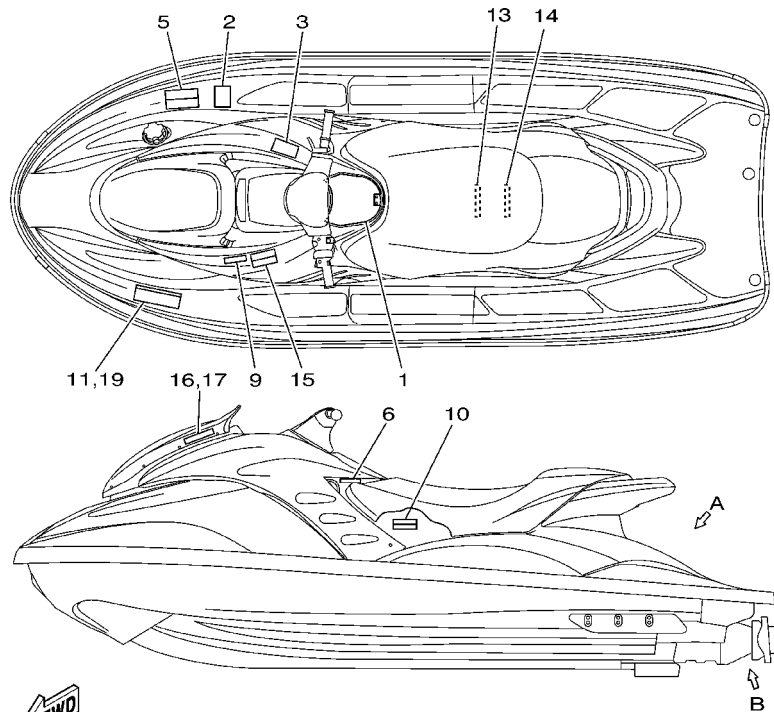
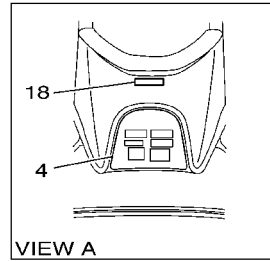
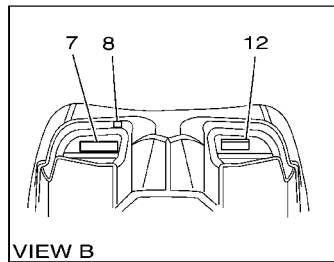
**FIG. 30 IMPORTANT LABELS**



F0X5100-2300

REF. NO.	PART NO.	DESCRIPTION	U49	CAL	CAN	GENE	JPN	REMARKS
1	F0X-U41B1-02	LABEL, WARNING JDC 1	1	1				YMUS
2	F0M-U41B2-00	LABEL, WARNING JDC 2	1	1				YMUS
3	F0P-U418R-00	LABEL, WARNING VENTILATION	1	1				YMUS
4	F0X-U41E2-00	LABEL, SET 2	1	1				YMUS
5	F0P-U415B-00	LABEL, WARNING(FUEL)	1	1				YMUS
6	F0V-U41E3-00	LABEL, SET 3	1	1				YMUS
7	F0P-U41E1-10	LABEL, SET 1	1	1				YMUS
8	F0X-U418U-00	LABEL, WARNING(START)	1	1				YMUS
9	F0X-U418V-00	LABEL, WARNING MUFFLER	1	1				YMUS
10	F0P-U418G-00	LABEL, CAUTION	1	1				YMUS
11	F0P-U418B-00	LABEL, CAUTION	1	1				YMUS
12	F0X-U419M-00	LABEL, CAUTION	1	1				YMUS
13	F0X-U419S-00	LABEL, CAUTION VISOR	1	1				YMUS
14	F0P-U41F5-00	LABEL, FIRE EXTINGUISHER 1	1	1				YMUS
15	F0X-U41G1-00	LABEL, CAPACITY	1	1				YMUS

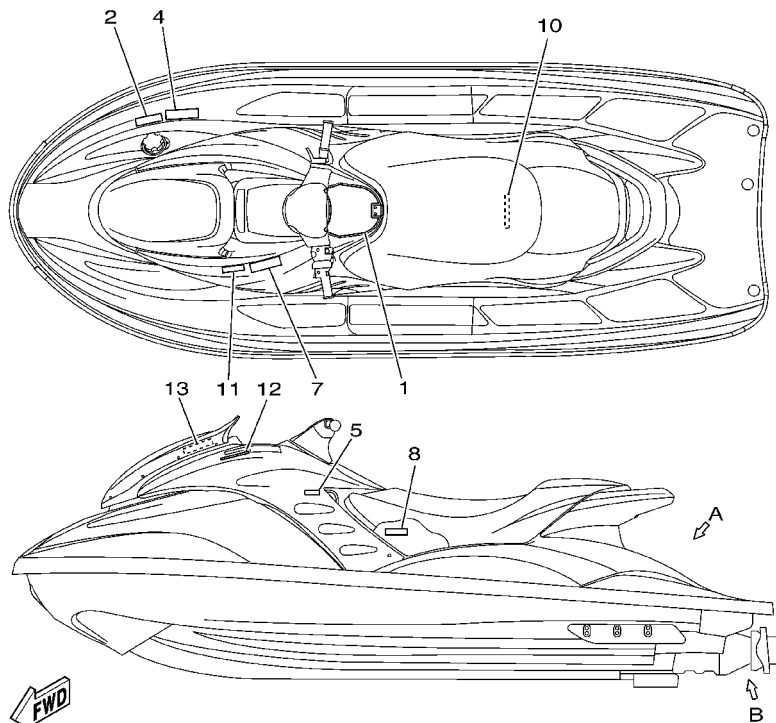
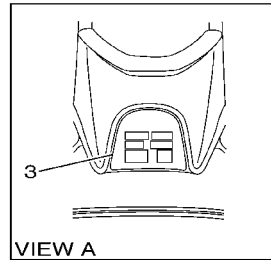
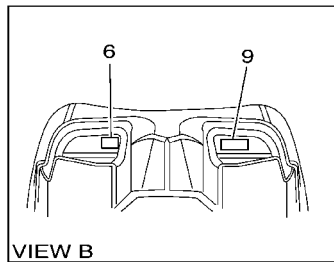
FIG. 31 IMPORTANT LABELS 2



FOX5100-2310

REF. NO.	PART NO.	DESCRIPTION	U49	CAL	CAN	GENE	JPN	REMARKS
1	F0X-U41B1-12	LABEL, WARNING JDC 1			1	1		YMUS
2	F0M-U41B2-00	LABEL, WARNING JDC 2				1	1	YMUS
3	F0X-U41B2-10	LABEL, WARNING JDC 2				1	1	YMUS
4	F0X-U41E2-30	LABEL, SET 2				1		FOR CAN, YMUS
	F0X-U41E2-40	LABEL, SET 2				1		FOR GENE, YMUS
5	F0V-U415B-00	LABEL, WARNING(FUEL)				1	1	YMUS
6	F0M-U41E3-11	LABEL, SET 3				1		FOR GENE, YMUS
	F0V-U41E3-10	LABEL, SET 3				1		FOR CAN, YMUS
7	F0P-U41D3-10	LABEL, WARNING UPRIGHTING				1	1	YMUS
8	GA9-U418F-00	LABEL, RIGHTING				1	1	YMUS
9	F0X-U418U-10	LABEL, WARNING(START)				1		FOR CAN, YMUS
10	F0X-U418V-10	LABEL, WARNING MUFFLER				1		FOR CAN, YMUS
11	GJ3-U416H-00	LABEL,WARNING(FRANCE)				1		FOR GENE, YMUS
12	F0P-U418G-10	LABEL, CAUTION				1	1	YMUS
13	F0P-U418B-00	LABEL, CAUTION				1	1	YMUS
14	F0P-U418B-10	LABEL, CAUTION				1	1	YMUS
15	F0X-U419M-10	LABEL, CAUTION				1		FOR CAN, YMUS
16	F0X-U419S-00	LABEL, CAUTION VISOR				1	1	LH, YMUS
17	F0X-U419S-10	LABEL, CAUTION VISOR				1	1	RH, YMUS
18	F0P-U41F5-10	LABEL, FIRE EXTINGUISHER 1				1	1	YMUS
19	GJ3-U419E-00	LABEL 4				1		FOR CAN, YMUS

FIG. 32 IMPORTANT LABELS 3



F0X5100-2320

REF. NO.	PART NO.	DESCRIPTION	U49	CAL	CAN	GENE	JPN	REMARKS
1	F0X-641B1-20	LABEL, WARNING JDC 1					1	
2	F0M-6418R-00	LABEL, WARNING VENTILATION					1	
3	F0X-641E2-31	LABEL, SET 2					1	
4	F0M-6415B-00	LABEL, WARNING(FUEL)					1	
5	F0V-641E3-20	LABEL, SET 3					1	
6	F0M-641E1-00	LABEL, SET 1					1	
7	F0X-6418U-20	LABEL, WARNING(START)					1	
8	F0X-6418V-20	LABEL, WARNING MUFFLER					1	
9	F0M-6418G-00	LABEL, CAUTION					1	
10	F0M-6418B-00	LABEL, CAUTION					1	
11	F0X-6419M-20	LABEL, CAUTION					1	
12	GA9-U411B-00	PLATE,ASSY					1	YMUS
13	F0X-6419S-20	LABEL, CAUTION VISOR					1	RH

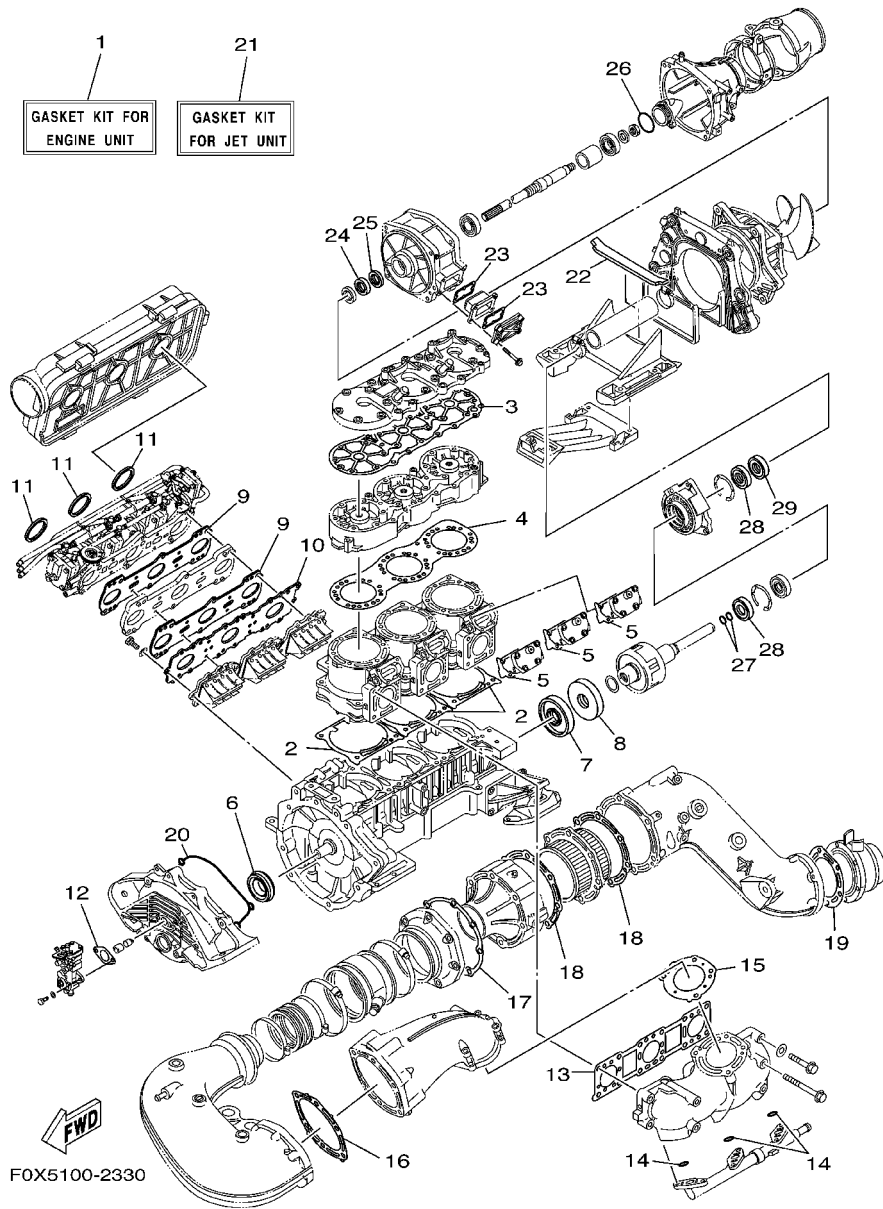


FIG. 33 REPAIR KIT 1

REF. NO.	PART NO.	DESCRIPTION	U49	CAL	CAN	GENE	JPN	REMARKS
1	66V-W0001-03	GASKET KIT	1	1	1	1	1	
2	66E-11351-01	.GASKET, CYLINDER	3	3	3	3	3	
3	66V-11193-00	.GASKET, HEAD COVER 1	1	1	1	1	1	
4	66V-11181-00	.GASKET, CYLINDER HEAD 1	1	1	1	1	1	
5	66E-1131B-01	.GASKET, COVER	3	3	3	3	3	
6	93102-35M57	.OIL SEAL	1	1	1	1	1	
7	93101-36M62	.OIL SEAL	1	1	1	1	1	
8	93101-36M61	.OIL SEAL	1	1	1	1	1	
9	68N-13556-00	.GASKET, MANIFOLD	2	2	2	2	2	
10	66V-13624-00	.PLATE, REED VALVE	1	1	1	1	1	
11	66E-13473-00	.O-RING	3	3	3	3	3	
12	63M-13116-00	.GASKET, PUMP CASE	1	1	1	1	1	
13	66V-14613-00	.GASKET, EXHAUST PIPE	1	1	1	1	1	
14	93210-17MA4	.O-RING	3	3	3	3	3	
15	66V-14739-00	.GASKET, MUFFLER DAMPER 1	1	1	1	1	1	
16	66V-14749-00	.GASKET, MUFFLER DAMPER 2	1	1	1	1	1	
17	66V-41114-00	.GASKET, EXHAUST OUTER COVER	1	1	1	1	1	
18	66V-41124-00	.GASKET, EXHAUST OUTER COVER	2	2	2	2	2	
19	68N-14623-00	.GASKET, EXHAUST PIPE	1	1	1	1	1	
20	66V-81168-10	.O-RING	1	1	1	1	1	
21	67X-W0001-20	GASKET KIT FOR JET UNIT	1	1	1	1	1	
22	67X-51367-00	.FELT, PACKING	1	1	1	1	1	
23	66V-42414-00	.O-RING	2	2	2	2	2	
24	93101-28M66	.OIL SEAL	1	1	1	1	1	
25	93101-28M65	.OIL SEAL	1	1	1	1	1	
26	93210-46M16	.O-RING	1	1	1	1	1	
27	93210-19MJ4	.O-RING	2	2	2	2	2	

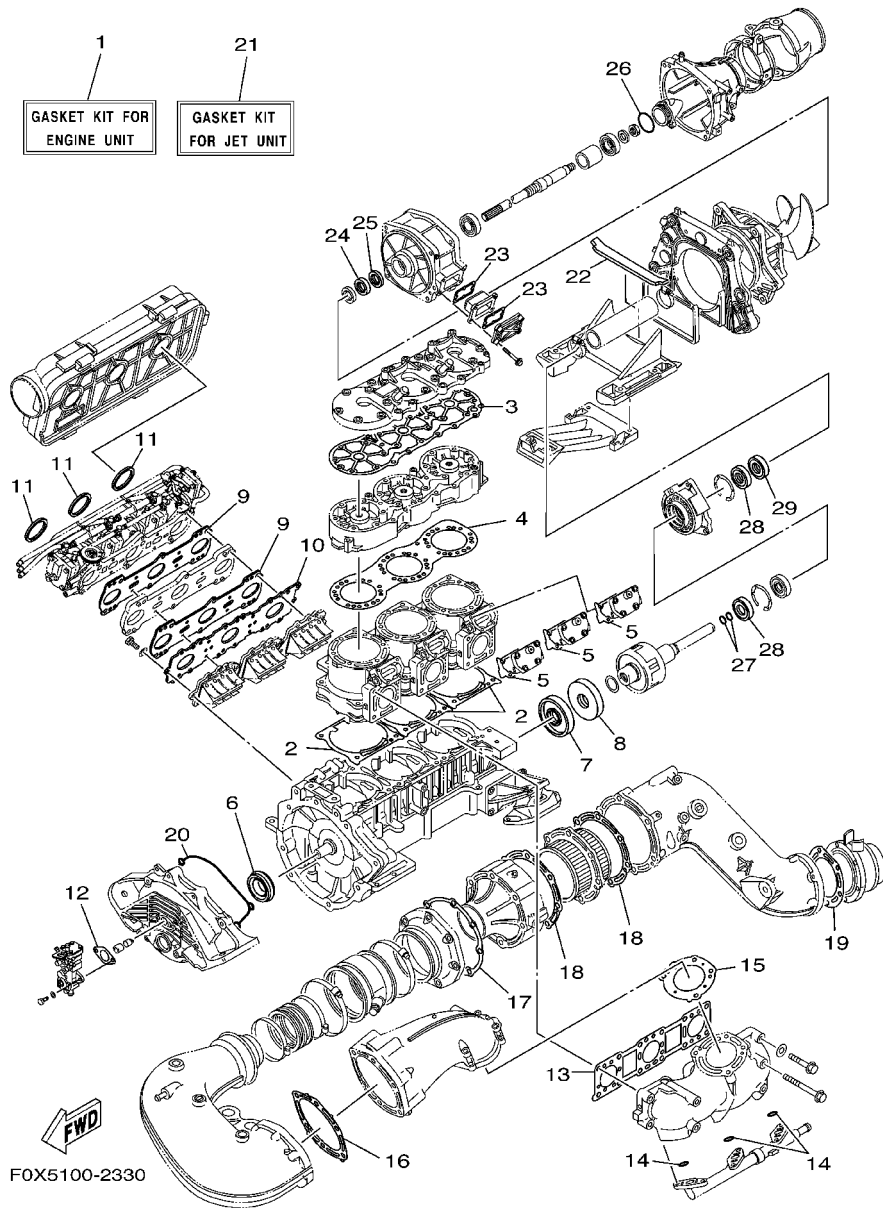
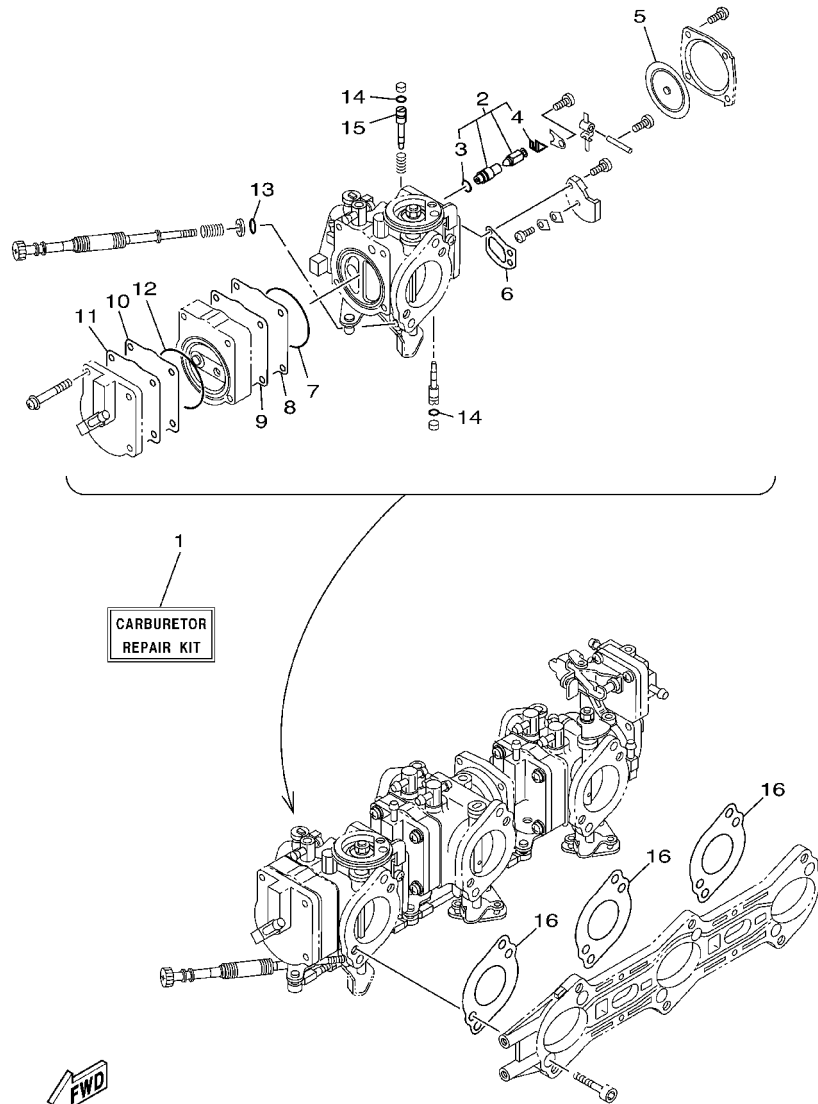


FIG. 33 REPAIR KIT 1

REF. NO.	PART NO.	DESCRIPTION	U49	CAL	CAN	GENE	JPN	REMARKS
28	93101-25M55	.OIL SEAL	2	2	2	2	2	
29	93101-25M56	.OIL SEAL	1	1	1	1	1	

FIG. 34 REPAIR KIT 2



REF. NO.	PART NO.	DESCRIPTION	U49	CAL	CAN	GENE	JPN	REMARKS
1	66V-W0093-01	CARBURETOR REPAIR KIT	1	1	1	1	1	
2	64T-14916-00	.NEEDLE	3	3	3	3	3	
3	8F2-14147-00	..O-RING	1	1	1	1	1	
4	7EG-14159-00	..CLIP	1	1	1	1	1	
5	6R7-14541-00	.DIAPHRAGM, PUMP	3	3	3	3	3	
6	6K8-14536-11	.GASKET	3	3	3	3	3	
7	66E-14563-01	.O-RING	3	3	3	3	3	
8	66E-24471-00	.DIAPHRAGM	3	3	3	3	3	
9	66E-24411-00	.DIAPHRAGM	3	3	3	3	3	
10	66E-24421-00	.VALVE, CHECK	3	3	3	3	3	
11	66E-24431-00	.GASKET, FUEL PUMP 1	3	3	3	3	3	
12	66E-14564-01	.O-RING	3	3	3	3	3	
13	812-14147-00	.O-RING	1	1	1	1	1	
14	93210-03119	.O-RING	6	6	6	6	6	
15	66V-14946-00	.PLATE, NEEDLE FITTING	3	3	3	3	3	
16	66E-14398-00	.GASKET	3	3	3	3	3	

F0D5110-0320

NUMERICAL INDEX

PART NO.	GRID NO.	PART NO.	GRID NO.	PART NO.	GRID NO.	PART NO.	GRID NO.	PART NO.	GRID NO.	PART NO.	GRID NO.
66V-G5831-02	C-10	F0X-U351N-00	D-12	F0P-U418G-00	E-11	F0X-U778H-00	D-15	66E-1131S-10	B-4	68N-13556-00	E-14
65A-R1129-00	C-10	F0X-U351P-00	D-12	F0P-U418G-10	E-12	EU0-U7817-00	C-9	66E-1131V-00	B-4	66V-13610-00	B-8
66V-R1313-01	C-11	F0X-U351R-02	D-12	F0P-U418R-00	E-11	GP7-U783F-00	E-2	66V-11311-00-94	B-2	66V-13620-00	B-8
68N-R1321-00	C-11	F0X-U351S-02	D-12	F0X-U418U-00	E-11	GP7-U7831-01	E-2	66E-1132C-00	B-4	66V-13624-00	E-14
65A-R1326-00	C-10	GJ3-U352E-40	D-12	F0X-U418U-10	E-12	GP7-U7832-01	E-2	66E-11325-00	B-4	66V-13624-00-94	B-8
66V-R1348-10	C-11	F0X-U3581-02	D-12	F0X-U418V-00	E-11	GP7-U7833-00	E-2	66E-1133E-10	B-4	67B-13784-00	B-13
66V-R1381-00	C-13	F0X-U3635-01	D-7	F0X-U418V-10	E-12	GP7-U7834-00	E-2	66E-1133F-10	B-4	66V-13898-00	B-8
GH1-U046C-00	E-5	F0X-U371A-20	D-14	GJ3-U419E-00	E-12	EU0-U7835-00	D-15	66V-11333-00	B-4	67B-13976-00	B-15
GP7-U142A-11	E-9	F0X-U371B-20	D-14	F0X-U419M-00	E-11	GP7-U7835-00	E-2	66E-11351-01	B-2	67B-14118-00	B-14
GP7-U142K-00	E-9	F0X-U377B-10-P0	D-7	F0X-U419M-10	E-12	F0X-U7844-00	E-2		E-14	66V-14124-00	B-11
GH1-U143B-00	E-5	F0X-U377C-10-P0	D-7	F0X-U419S-00	E-11	GP7-U785G-00	E-2	66V-11400-00	B-6		B-14
GH3-U146E-00	C-11	F0X-U3774-00	D-14		E-12	GP7-U785H-00	E-2	66E-11412-00	B-6	4KM-14137-00	B-12
GK5-U146F-00	E-6	F0X-U41B1-02	E-11	F0X-U419S-10	E-12	EU0-U7856-40	D-5	66E-11422-00	B-6		B-15
EU0-U1461-02	E-6	F0X-U41B1-12	E-12	F0X-U475A-00	D-8	F0X-U7856-00	D-15	66E-11431-00	B-6	35H-14139-00	B-11
EU0-U1461-30	E-5	F0M-U41B2-00	E-11	F0X-U4958-00	E-5	GJ3-U7856-10	E-2	66E-11442-00	B-6		B-14
GP8-U1461-T0	E-6		E-12	F0X-U515D-00	D-8	GJ1-U8K31-02	C-11	66V-11452-00	B-6	66V-14146-00	B-11
F0X-U1481-00	E-6	F0X-U41B2-10	E-12	F0X-U515E-00	D-8	EU0-U821D-00	E-4	66E-11515-00	B-6		B-14
GP7-U152P-00	E-5	F0P-U41D3-10	E-12	F0X-U515N-00	D-8	F0X-U8211-10	D-5	66V-11603-00	B-6	8F2-14147-00	B-10
F0D-U152C-00	E-6	F0P-U41E1-10	E-11	F0X-U516P-00	D-8	F0W-U822C-00	D-5	66V-11631-00-A0	B-6		B-13
GP7-U152M-00	E-5	F0X-U41E2-00	E-11	F0X-U517B-00	D-8	F0W-U822D-00	D-5	66V-11631-00-B0	B-6		F-2
GP7-U152P-00	E-5	F0X-U41E2-30	E-12	F0X-U517H-10-P0	D-9	F0X-U8221-00	D-5	66V-11631-00-C0	B-6	812-14147-00	B-11
GP7-U152R-00	E-5	F0X-U41E2-40	E-12	F0X-U519D-01	D-9	F0X-U8239-00	D-6	66V-11631-00-D0	B-6		B-14
F0D-U153D-01	E-5	F0M-U41E3-11	E-12	F0X-U5554-00	D-8	F0V-U824B-00	D-6	66E-11633-00	B-6		F-2
F0X-U153E-01	E-5	F0V-U41E3-00	E-11	EW2-U5772-00	E-4	F0D-U824C-00	D-6	66E-11634-00	B-6	7EG-14159-00	B-10
F0D-U153J-00	E-5	F0V-U41E3-10	E-12	EW2-U5912-01	D-5	F0D-U8341-00	D-6	66E-11651-00	B-6		B-13
GP7-U155C-00	E-5	F0P-U41F5-00	E-11	EW2-U5913-01	D-6	GJ1-U835D-00	C-11	66E-11685-00	B-6		F-2
GP7-U155D-00	E-7	F0P-U41F5-10	E-12	F0X-U5983-00	D-5	F0X-U883B-01	C-13	66E-11832-01	B-4	66V-14160-00	B-11
GP7-U155F-00	E-5	F0X-U41G1-00	E-11	GD0-U7249-00-05	C-13	F0X-U883E-00	C-13	66E-11998-10	B-4		B-14
	E-7	GA9-U411B-00	E-13	GD0-U7249-00-10	C-13	F0X-U883N-00	D-10	67X-12481-00	C-6	66E-14162-01	B-11
GP7-U157A-00	E-5	GU2-U411H-00	E-10	EU0-U7354-00-01	B-3	F0X-U883P-00	D-10	66V-12576-00	C-4		B-14
F0X-U213G-01	D-13	GJ3-U4114-52	E-10	EU0-U7354-00-03	B-3	66V-W0001-03	E-14	66V-12577-00	C-4	66E-14170-00	B-10
GP7-U2501-20	D-12	F0X-U4125-00	E-10	EU0-U7354-00-05	B-3	67X-W0001-20	E-14	66V-12579-00	C-7	67B-14170-00	B-13
F0X-U251D-00	D-12	F0P-U415B-00	E-11	EU0-U7354-00-10	B-3	66V-W0004-00	B-8	64T-12580-00	C-7	439-14186-00	B-11
F0X-U251E-00	D-12	F0V-U415B-00	E-12	EU0-U7354-00-20	B-3	68N-W0090-10-8P	B-2	66V-12581-00	C-7		B-14
F0X-U2512-00	D-12	GJ3-U416H-00	E-12	F0D-U7525-01	E-4	66V-W0093-01	F-2	67X-12590-00	C-8	66V-14211-00	B-11
F0X-U2519-00	D-12	F0X-U417B-20	E-10	F0X-U7555-00	E-4	67X-11111-00-94	B-2	67X-12590-10	C-8		B-14
F0X-U252C-00	D-12	F0X-U417C-20	E-10	F0X-U758C-00	E-4	66V-11152-00	C-5	67X-12590-20	C-8	1HX-1423A-69	B-14
F0X-U252D-00	D-12	F0X-U417D-20	E-10	F0X-U759B-00	E-2	66V-11181-00	B-2	63M-13116-00	C-2	3G2-1423A-74	B-10
F0X-U266B-00	D-8	F0X-U417E-20	E-10	F0X-U759C-00	E-2		E-14		E-14	1HX-14231-19	B-11
F0X-U266D-00	D-5	F0X-U417F-20	E-10	GJ1-U759C-00	E-2	66V-11191-01-8P	B-2	63M-13132-00	C-3	3G2-14231-27	B-13
F0X-U266E-01	D-8	F0X-U417G-20	E-10	GD0-U761D-00	D-10	66V-11193-00	B-2	65U-13132-00	C-2	812-14235-00	B-11
F0X-U2664-00	D-14	F0X-U417H-20	E-10	F0X-U7711-00	E-2		E-14	67X-13183-00	C-2		B-14
F0X-U271B-00	D-14	F0X-U417J-20	E-10	F0D-U775B-02	D-15	66E-1131B-01	B-4	66V-13185-00	C-3	65U-14251-00	C-4
F0X-U273B-00	C-11	F0X-U417L-00	E-10	F0X-U776C-00	D-15		E-14	66V-13200-00	C-2	66V-14251-00	B-2
F0X-U351H-00	D-12	F0P-U418B-00	E-11	F0X-U778B-00	D-15	66E-1131C-10	B-4	66E-13469-00	C-2	6R7-14253-00	B-10
F0X-U351J-00	D-12		E-12	GJ3-U778C-00	D-15	66E-1131H-00	B-4	66E-13473-00	B-8		B-13
F0X-U351K-03	D-12	F0P-U418B-10	E-12	F0X-U778D-00	D-15	66E-1131J-10	B-4		E-14	68N-14271-00	B-8
F0X-U351M-03	D-12	GA9-U418F-00	E-12	F0X-U778E-00	D-15	66E-1131M-01-8P	B-4	68N-13556-00	B-8	66E-14280-00	B-10



NUMERICAL INDEX

PART NO.	GRID NO.	PART NO.	GRID NO.	PART NO.	GRID NO.	PART NO.	GRID NO.	PART NO.	GRID NO.	PART NO.	GRID NO.
67X-14284-00	B- 8	68N-14585-00	B- 15	66V-24377-00	C- 4	66V-44574-00-94	B- 3	EU0-61652-00	C- 8	FOX-64261-02	E- 4
66E-14286-00	B- 10	66V-14613-00	C- 4	63M-24378-00	C- 3	663-45119-00	C- 6		D- 10	FOX-6517C-00	D- 9
67B-14286-00	B- 13		E- 14	66E-24411-00	B- 10	66V-45214-00-94	C- 10		D- 12	FOX-6517D-00	D- 8
66V-14294-00	B- 12	66V-14615-02	C- 5		B- 13	61X-45332-03-94	C- 13	FOX-61652-00	D- 10	FOX-6517F-00	D- 8
67X-14301-03	B- 10	68N-14623-00	C- 6		F- 2	61L-45378-00	C- 13		D- 13	FOX-6517R-01	D- 9
68B-14301-03	B- 13		E- 14	66E-24412-01	B- 11	68Y-45511-00	C- 10	FOX-6213D-00	D- 13	FOX-6518E-00	D- 8
67X-14302-03	B- 10	66V-14625-00	C- 5		B- 14	65V-45538-00	C- 10	EW2-62140-00	E- 2	FOX-6555D-00	D- 9
68B-14302-03	B- 13	67B-1465A-00	C- 6	66E-24413-01	B- 10	68N-45593-00-94	B- 7	EW2-62142-00	E- 2	FOX-6555E-00	D- 9
67X-14303-03	B- 10	66V-14711-00-8P	C- 4		B- 13	66E-4581J-00	B- 7	EW2-62149-00	D- 13	FOX-65568-00	D- 5
68B-14303-03	B- 13	66V-14712-00-8P	C- 4	66E-24421-00	B- 10	66E-45813-10-94	B- 7	GJ3-6215F-00	D- 13	GA7-65772-00	D- 5
66V-1432A-00	B- 11	67X-14718-00	C- 7		B- 13	66V-46882-00	C- 10	GP7-62159-01	D- 13		D- 6
66E-14398-00	B- 11	66V-14721-01-8P	C- 4		F- 2	68N-5112T-00	D- 10	FOX-62187-00	D- 7		E- 4
	B- 14	66V-14739-00	C- 4	66E-24431-00	B- 10	66E-51129-00	B- 2	FOX-62188-00	D- 7	EU0-65901-01	E- 10
	F- 2		E- 14		B- 13		C- 4	EU0-62241-30	C- 11	FOX-65938-01	D- 6
67X-1441J-00	B- 9	66V-14740-01	C- 6		F- 2	66V-51129-01	C- 10		E- 5	FOX-65939-01	D- 6
67X-14419-00	B- 9	66V-14749-00	C- 4	66V-24452-00	B- 10	66V-51129-10	C- 10		E- 6	EU0-65986-00	E- 10
67X-14440-00	B- 8		E- 14		B- 13	66E-51142-00	C- 7	EU0-62280-00	D- 11	GJ1-66607-00	D- 5
66V-14451-00	B- 8	66V-14752-00	C- 7	66V-24452-10	B- 10	66V-51142-00	C- 2	EU0-62282-00	D- 11		D- 6
66V-14457-00	B- 8	66V-1477K-00	C- 6		B- 13	66G-51190-00-94	C- 11	EU0-62283-00	D- 11	FOX-6724A-00	E- 7
66V-14480-01	B- 8	66V-1477L-00	C- 5	66E-24471-00	B- 10	67X-51311-00-94	C- 10	EU0-62285-01	D- 11	67X-67242-00	E- 5
68N-14486-00	B- 11	66E-14771-01-94	C- 6		B- 13	66V-51312-01-94	C- 10	FOX-62624-00	D- 10	FOD-67250-03	E- 7
	B- 14	66V-14771-01-94	C- 5		F- 2	66V-51315-00-94	C- 10	FOX-62663-01	C- 12	66V-67252-00	E- 5
66V-14488-00	C- 5	66V-14779-00	C- 5	70R-24489-00	E- 2	67X-51318-00-94	C- 11	FN8-6269B-00	D- 10	FOD-67255-01	E- 7
6K8-14503-02	B- 10	66V-14782-00-94	C- 6	65U-24492-00	B- 10	68N-51323-00	C- 13	FOX-62733-00	E- 4	EW2-67256-00	E- 7
	B- 13	68N-14784-00-94	C- 6		B- 13	67X-51333-00-94	C- 10	GU2-62875-01	D- 9	FOD-67257-00	E- 7
6K8-14523-11	B- 11	68N-14791-00-8P	C- 6	66V-24500-02	C- 9	63M-51334-00	C- 11	FOX-63225-00	D- 6	EW2-67258-01	E- 7
	B- 14	64T-14916-00	B- 10	6K8-24524-10	C- 9	67X-51367-00	C- 10	FOX-63226-00	D- 6	EW2-67259-01	E- 7
66V-14527-00	B- 12		B- 13	70R-24543-00	E- 2		E- 14	FOX-6351B-00	D- 5	EU0-67267-10	E- 5
	B- 15		F- 2	66V-24560-00	C- 9	67X-51673-00	C- 11	FOX-6351C-00	D- 7	EU0-67267-20	C- 11
6K8-14536-11	B- 10	3KW-14932-00	B- 11	66V-26320-00	C- 2	61L-5169A-00	C- 6	FOX-6352C-00	D- 5	GK5-67267-10	E- 6
	B- 13		B- 14	67F-2812A-00	D- 2	FN8-6131B-00	E- 7	FOX-6375E-00	D- 14	FOX-6753B-00	E- 4
	F- 2	66V-14946-00	B- 11	66V-41111-02-8P	C- 5	FOX-6133B-00	E- 8	GK5-63768-00	D- 5	FOX-6755J-00	E- 4
6R7-14541-00	B- 10		B- 14	68N-41111-00-94	C- 5	FOX-6141B-00	E- 7	FOX-6377M-00	D- 7	GP8-6755J-00	E- 4
	B- 13		F- 2	66V-41113-01-8P	C- 5	FOX-6143C-00	E- 8	FOX-6377P-00	D- 7	FOX-67550-02	E- 4
	F- 2	68N-15100-00-8P	B- 2	68N-41113-00-8P	C- 5	FOX-6143G-00	E- 7	FOX-6378C-00	D- 14	FOD-67565-01	E- 4
6R7-14542-00	B- 10	66V-15779-00	C- 7	66V-41114-00	C- 5	FOX-61467-00	E- 6	FOD-63850-01	D- 14	GP8-67593-00	D- 5
	B- 13	68N-21425-00-8P	B- 2		E- 14	FOX-61468-00	E- 6	FOX-641B1-20	E- 13	GU0-67593-00	E- 4
6K8-14547-01	B- 10	68N-21426-00-8P	B- 2	68B-41123-00-8P	C- 6	FOX-61469-00	E- 8	F0M-641E1-00	E- 13	EW2-67618-00	D- 10
	B- 13	EU0-23814-01	E- 8	68N-41123-00-8P	C- 6	FOX-61469-00	E- 8	FOX-641E2-31	E- 13	FOX-67743-00	E- 2
66E-14563-01	B- 10	EU0-23814-30	E- 8	66V-41124-00	C- 5	FOX-6152M-00	E- 7	F0V-641E3-20	E- 13	FOD-6775C-01	D- 15
	B- 13	66V-24312-00	B- 12		E- 14	FOX-6153P-00	E- 7	F0M-6415B-00	E- 13	FOD-6775E-01	D- 15
	F- 2		B- 15	66V-41217-00	B- 11	FOX-6153P-10	E- 7	F0M-6418B-00	E- 13	FJ0-67766-00	D- 15
66E-14564-01	B- 11	66V-24313-01	B- 12		B- 14	FOX-61541-00	E- 7	F0M-6418G-00	E- 13	EU0-67767-31	E- 2
	B- 14		B- 15	66V-42414-00	C- 10	FOX-61552-00	E- 7	F0M-6418R-00	E- 13	FN8-67816-00	C- 9
	F- 2	66V-24314-00	C- 3		E- 14	FOX-61596-00	E- 8	FOX-6418U-20	E- 13	FOX-6815D-00	D- 2
6R7-14569-00	B- 10	66E-24362-00	B- 10	67X-42717-00	B- 8	FOX-61624-00	D- 10	FOX-6418V-20	E- 13	FOX-6815E-00	D- 2
	B- 13		B- 13	67X-44517-10-5B	B- 3	FOX-61637-00	D- 10	FOX-6419M-20	E- 13	FOX-6820A-01	D- 6
68N-14585-00	B- 12	6G8-24376-00	C- 3	66V-44532-00-94	B- 3	FN8-61651-01	D- 12	FOX-6419S-20	E- 13	FOX-6820A-11	D- 6

NUMERICAL INDEX

PART NO.	GRID NO.	PART NO.	GRID NO.	PART NO.	GRID NO.	PART NO.	GRID NO.	PART NO.	GRID NO.	PART NO.	GRID NO.
FOX-6820A-21	D-6	66V-82150-00	D-3	90110-05908	E-5	90119-10M19	C-4	90267-489U1	D-5	90445-198C0	D-10
FOX-6821H-00	D-5	66V-82151-00	D-3		E-7	90119-10M20	C-4	90267-489U2	E-2	90445-21002	C-7
FOD-6822E-00	E-8	67F-82151-00	D-3	90110-06008	D-7	90119-10M23	C-5	90267-489U6	D-13	90446-07MG1	B-12
GU2-6822E-01	D-6	66V-82153-00	D-3	90110-06040	D-10	90119-10836	C-10		D-15		B-15
GP7-68238-10	D-6	66V-82171-00	D-3	90111-05001	D-7	90119-10837	C-11		D-6	90446-07MG3	B-12
FOW-68239-01	D-5	66V-82340-01	D-3		D-8	90149-069UA	C-13		E-6		B-15
GU0-6824E-00	B-4	66V-82340-11	D-3	90111-06018	D-8	90149-069U9	E-9		E-8	90446-07MG5	B-12
FOX-68310-01	E-7	67X-82340-21	D-3	90116-06M67	B-5	90157-05M17	B-11	90267-489U9	D-5		B-15
FK7-68312-02	E-7	66V-82355-00	D-3	90116-10M66	C-6		B-14		D-6	90446-10ME3	E-5
FK7-68313-02	E-7	66V-82509-00	D-4	90116-10M68	C-4	90159-04800	C-9		E-4	90446-10MG0	B-12
EW2-68348-00	E-7	67B-82509-00	D-4	90119-06M13	B-2	90159-069U1	E-9	90280-05013	C-14		B-15
FOX-6883T-00	D-10	67X-82553-10	D-4	90119-06M84	B-2	90169-049U1	E-2	90380-12M29	B-2	90446-10MG2	B-12
FOX-6883U-01	D-10	66V-83553-00	D-3	90119-06800	C-10	90169-059U1	D-12		C-14		B-15
FOX-6883V-00	D-10	67B-83553-00	D-3	90119-06824	D-9	90170-22187	C-9	90381-05041	D-8	90446-10MG4	B-12
FOX-6884R-00	C-12	6R7-83623-40	D-4	90119-06827	E-6	90176-06005	D-5	90387-05800	E-5		B-15
FOX-6884S-00	C-12	6R7-83623-50	D-4	90119-06835	C-10	90179-05800	D-8	90387-06M05	B-2	90446-10MG7	B-15
FOX-6885R-00	C-12	63N-83623-00	D-4	90119-069UB	C-11	90179-05801	D-8	90387-06M60	C-13	90446-10MG8	B-15
FOX-6885S-00	C-12	66V-83919-00	D-2		C-12	90179-089U7	C-12	90387-08M06	C-11	90446-10MG9	B-14
FOX-68952-00	D-5	66V-83955-00	D-2	90119-069UD	C-12	90179-08978	D-2	90387-08M37	B-8	90446-10M82	C-2
66V-81168-10	C-14	682-84385-01	C-7		C-13		D-5	90387-12M05	C-5	90446-14MA9	B-12
	E-14	66E-85112-00-94	B-5	90119-069UH	D-10	90179-10M35	C-6	90387-35M01	B-6		B-15
66V-81315-00	D-2	66V-85510-00	C-14		E-4	90179-10M36	C-4	90430-09M10	C-7	90446-17ME2	C-2
65U-81317-10	D-3	66V-85515-00	D-3		E-6	90183-06902	D-8	90430-16910	E-4	90446-17ME8	C-3
66V-8132W-00	D-2	66V-8552A-00	D-2	90119-069UJ	D-8	90185-08002	E-8	90445-07M10	C-2	90446-17MG6	B-11
66V-81328-00	C-14	66V-8552E-00	D-2	90119-069UK	C-12	90201-06014	D-6	90445-07M60	B-14		B-14
68N-81337-00-8P	C-14	66V-85525-00	D-3		E-4	90201-06068	C-14	90445-07M61	B-15	90446-20M65	C-7
63M-81800-00	C-15	66V-85540-00	D-2	90119-069UP	D-14	90201-065F3	B-5	90445-07M62	B-15	90446-20M70	C-7
3AJ-81809-00	C-15	67B-85540-00	D-2	90119-08MA0	B-2	90201-068M4	C-11	90445-07M63	B-15	90446-24M52	C-7
6M6-81826-00	C-15	66V-85542-00	D-3	90119-08M18	B-2	90201-06906	E-6	90445-07M03	B-12	90446-27MF2	D-10
6M6-8183E-01	C-15	66V-85550-00	C-14	90119-08M22	B-8	90201-08M09	B-4	90445-07004	B-11	90446-27M55	C-9
6M6-81830-00	C-15	66V-85570-00	D-3	90119-08M63	B-2	90201-099U3	B-3	90445-07005	B-12	90446-27M95	C-7
63M-81830-00	C-15	66V-85790-10	D-3		C-6		D-14	90445-07007	C-2		D-10
6M6-81840-10	C-15	67X-85820-10	B-5	90119-08M67	B-2	90201-10017	E-8	90445-09M33	C-6	90447-07001	C-2
11H-81844-00	C-15	66E-85825-00	B-5	90119-08807	D-14	90201-10801	C-12	90445-11M33	C-2	90447-07003	B-11
66V-81844-00	D-2	66V-85881-00	D-3	90119-089UE	C-11	90201-22M04	B-6	90445-11M73	B-11	90447-07004	B-12
1FK-81847-00	C-15	90101-06026	D-8	90119-089UL	C-13	90201-248M5	B-7		B-14	90447-13001	C-9
6M6-81850-00	C-15	90101-06917	B-3	90119-089UM	E-8	90201-28008	C-5	90445-11006	C-9	90447-13006	C-9
6M6-81865-00	C-15	90101-08003	E-8	90119-089UN	B-3	90202-05001	D-11	90445-11007	C-9	90448-25800	E-6
6M6-81866-00	C-15	90105-08M22	C-6	90119-089UR	B-3	90202-10922	D-8	90445-11008	C-9	90450-14M05	C-7
66V-81921-00	D-2	90105-08041	B-8	90119-089US	D-14	90267-329UR	E-2	90445-11009	C-9	90450-18M09	C-7
68N-81940-00	D-2	90105-10M87	C-6	90119-089U6	C-11	90267-40935	D-15	90445-11022	C-9	90450-22M14	C-4
66V-81960-00	D-4	90109-06M99	C-4		C-12	90267-48802	C-8	90445-12M10	C-4		C-7
EU0-82110-09	D-5		C-7	90119-089U7	E-2		D-6	90445-14M00	C-2	90450-99M02	C-7
67X-82117-00	D-2	90109-06039	B-8	90119-10M00	C-6	90267-48806	C-12	90445-14M09	C-7	90450-99801	E-4
67X-82117-10	D-2	90109-08902	D-8	90119-10M07	B-2		D-13	90445-14M18	C-7	90460-11M17	B-12
67X-82117-20	D-2	90109-10M72	C-14	90119-10M11	C-4		D-7	90445-14898	C-11		B-15
66V-82119-00	D-2	90110-04M03	B-4	90119-10M13	C-6	90267-489US	D-12	90445-18M02	C-7		C-4
66V-82127-00	D-4	90110-05008	B-4	90119-10M18	C-6	90267-489U1	C-9	90445-198B9	D-10	90460-90M19	C-5

NUMERICAL INDEX

PART NO.	GRID NO.	PART NO.	GRID NO.	PART NO.	GRID NO.	PART NO.	GRID NO.	PART NO.	GRID NO.	PART NO.	GRID NO.
90460-99M20	C- 5	90601-118UF	C- 11	92990-12200	D- 14	93606-12019	C- 11	9778R-50112	D- 10		
90460-99M23	B- 9		C- 8	92995-06100	D- 2		C- 13	97780-04110	D- 15		
90464-07M05	C- 3		D- 10	92995-06600	B- 12		C- 4	97780-60425	D- 2		
90464-07M56	C- 7		E- 4		B- 15	93606-14081	C- 6		D- 3		
90464-14M55	B- 8	90601-152U3	C- 13		C- 2	93608-16M16	C- 14		D- 4		
90464-17800	D- 13		D- 15		C- 3	94702-00396	D- 3	97780-60430	D- 2		
90464-32801	D- 15	90601-155U4	E- 2		D- 2	94709-00396	D- 3	97780-60516	D- 3		
	D- 6	90601-162U5	D- 6		D- 3	9531P-16700	C- 10	97780-60525	D- 3		
	E- 8	90601-195UD	E- 4	93101-25M55	C- 13	9538R-06700	C- 11	97780-60530	D- 2		
90464-40825	C- 8	90601-200U1	D- 10		E- 15		E- 6	9788R-05025	D- 11		
	E- 3	90601-200U2	B- 4	93101-25M56	C- 13	95380-06700	C- 15	97880-03008	E- 7		
90464-50001	B- 8		C- 8		E- 15	9572R-05300	D- 11	97880-05010	B- 11		
90464-99803	D- 15		D- 13	93101-28M65	C- 10		D- 6		B- 14		
90465-11M10	B- 5		E- 6		E- 14	9572R-06300	B- 5	97880-05025	E- 7		
	C- 14	90601-200U7	D- 13	93101-28M66	C- 10		D- 12	97880-06065	E- 5		
	C- 2	90605-502U1	D- 8		E- 14		D- 9	98500-05025	E- 7		
	C- 3	90605-502U2	D- 9	93101-36M61	B- 6		E- 5	98580-05014	B- 11		
	C- 6	91317-06030	C- 14		E- 14		E- 6		B- 14		
	C- 9	91318-06014	C- 14	93101-36M62	B- 6	9572R-08300	B- 4	9878R-05512	C- 11		
	D- 3	92903-06600	B- 2		E- 14		D- 14	98780-05020	B- 4		
90465-11M52	D- 4		B- 4	93102-35M57	B- 6		D- 2	98980-04010	E- 5		
90465-11829	C- 11		B- 8		E- 14		D- 8	99590-14016	C- 10		
	C- 13		C- 15	93109-08M07	B- 4		E- 8		C- 6		
	C- 3		D- 4	93210-03119	B- 11	9572R-10300	C- 12	99780-12600	D- 10		
	C- 9	92903-08600	B- 3		B- 14		D- 14				
	D- 15		C- 15		F- 2	95720-10300	E- 7				
	E- 2	92903-10600	C- 14	93210-17MA4	C- 4	97013-06016	D- 4				
90465-12M53	B- 2		C- 4		E- 14	97013-06025	B- 4				
90465-13M36	C- 4		C- 5	93210-17001	C- 6		B- 8				
	D- 4	9299R-05200	D- 11	93210-19MJ4	C- 13	97013-06040	B- 2				
90465-13M60	B- 12		E- 4		E- 14	97013-06045	B- 8				
	B- 15	9299R-06100	E- 5	93210-46M16	C- 10	97013-08025	B- 3				
90467-089U1	D- 13	9299R-06200	D- 12		E- 14		C- 15				
90468-02001	C- 2		D- 7	93306-205U0	C- 10	97013-10055	C- 14				
90480-06M46	C- 13		D- 9	93306-205U6	C- 13		C- 4				
90480-14023	B- 5		E- 6	93306-208U1	B- 6	97013-10060	C- 5				
90480-22M15	B- 8	9299R-08200	B- 4	93306-304U1	C- 10	97013-10065	C- 5				
90480-279U1	D- 5		D- 2	93306-308U1	B- 6	97013-10085	C- 5				
	E- 6		D- 5	93310-422U2	B- 6	97013-10090	C- 5				
90480-30M78	C- 5		D- 8	93310-627U6	B- 6	97095-06010	D- 2				
90480-38800	D- 5	9299R-08600	D- 14	93390-000U6	B- 6	97095-06012	B- 12				
90501-14M73	C- 15	9299R-16600	C- 10	93410-08M12	B- 4		B- 15				
90600-900U6	C- 8	92990-04600	E- 5	93430-47M04	C- 13		C- 3				
	E- 3	92990-06100	C- 15	93440-25M08	C- 15		D- 3				
90600-917U4	C- 8	92990-06600	E- 5	93450-18M06	C- 15	97095-06020	C- 2				
	D- 6	92990-08600	E- 8	93603-10049	B- 6	97513-05514	C- 14				
90600-91736	D- 15	92990-10600	E- 7	93606-12019	B- 2	97513-10545	C- 14				
90600-925U9	E- 6	92990-12200	D- 10		C- 10		C- 6				